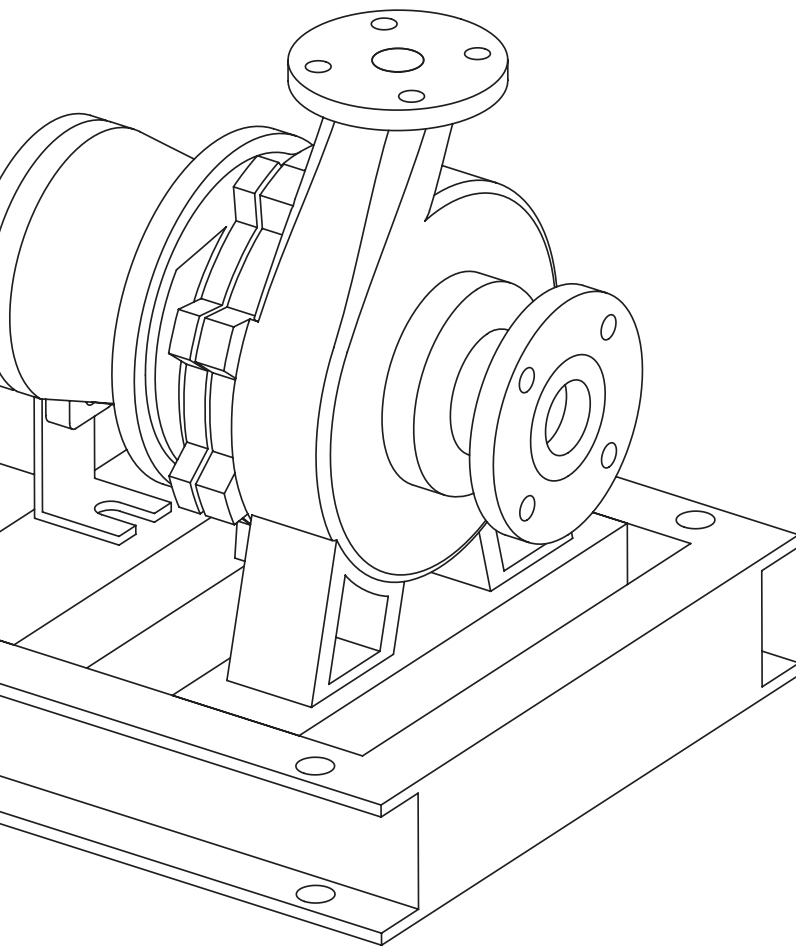


Series 4030 base mounted pumps

Centerline discharge
M designation



Parts list

1 $\frac{1}{4}$ " impeller bore
1 $\frac{5}{8}$ " mechanical seal

File No: 6040.121
Date: OCTOBER 07, 2015
Supersedes: 6040.121
Date: MARCH 20, 2015

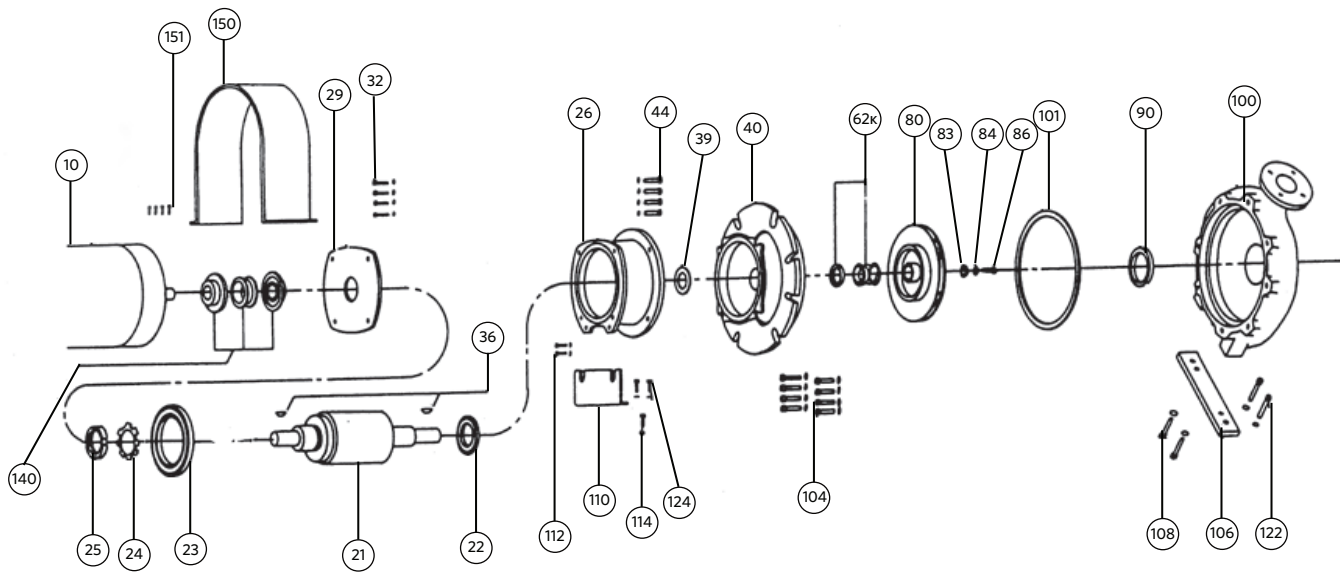
NEMA FRAME ASSIGNMENTS

Open & TEFC (TEFC frames in grey where different than open)

NEMA FRAME PROGRAM HP	3600 RPM			1800 RPM			1200 RPM			900 RPM		
	T FRAMES 1964	U FRAMES 1952	ORIGINAL NEMA FRAMES	T FRAMES 1964	U FRAMES 1952	ORIGINAL NEMA FRAMES	T FRAMES 1964	U FRAMES 1952	ORIGINAL NEMA FRAMES	T FRAMES 1964	U FRAMES 1952	ORIGINAL NEMA FRAMES
1½	—	—	—	143T	182	203	145T	184	204	182T	213	225
2	143T	182	203	145T	184	204	184T	213	224	184T	213	254
3	145T	184	204	145T	184	224	184T	213	225	184T	213	254
5	182T	184	224	182T	213	225	213T	215	254	213T	215	284
7½	182T	213	225	184	215	254	215T	254U	284	215T	254U	324
10	184T	213	254	213T	254U	284	213T	254U	324	254T	284U	364
15	213T	254U	284	215T	256U	324	215T	256U	326	256T	286U	365
20	215T	256U	324	254T	284T	326	254T	284T	326	284T	326U	404
25	254T	284U	326	256T	286U	364	256T	286U	364	286T	326U	405
30	256T	284TS	324U	284T	324U	364	284T	324U	364	324T	364U	444
40	284TS	286TS	324S	286T	326U	365	286T	326U	365	326T	365U	445
50	286TS	324TS	364US	324T	364U	404	324T	364U	404	364T	404U	504U
60	324TS	326TS	364US	326T	365US	405S	326T	365US	405S	365T	405U	505
75	326TS	364US	404S	364TS	404US	444S	364TS	404US	444S	404T	444U	—
100	364TS	404US	444S	365TS	405US	444S	365TS	405US	444S	405T	445U	—
125	365TS	405US	445S	404TS	444US	504S	404TS	444US	504S	444T	—	—
150	404TS	444US	504US	405TS	444US	505S	405TS	444US	505S	445T	—	—
200	405TS	445US	505S	444TS	—	—	444TS	—	—	—	—	—
250	444TS	—	—	445TS	—	—	445TS	—	—	—	—	—

M SIZE

Exploded view - permanent grease lubrication



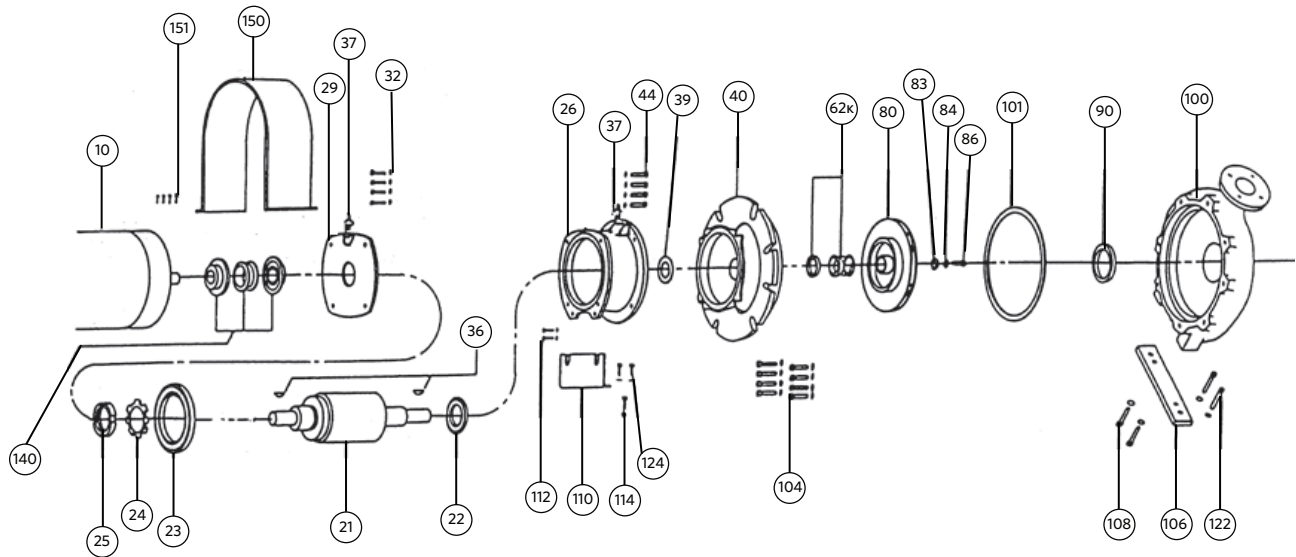
INDEX

ITEM	DESCRIPTION	PAGE
21	Shaft assembly	20&21
22	Ball bearing (inboard)	20&21
23	Ball bearing (outboard)	20&21
24	Spider washer	20&21
25	Locknut	20&21
26	Bearing frame	20&21
29	Bearing cover (inboard)	20&21
32	Bearing cover capscrew	20&21
36	Impeller/coupler key	20&21
39	Water slinger	20&21
**	Bearing frame assembly	20&21
40	Adapter	15-17
44	Adapter capscrew	22
62K	Mechanical seal assembly	20&21
80	Impeller	12&13

ITEM	DESCRIPTION	PAGE
83	Impeller washer	20&21
86	Impeller capscrew	20&21
100	Casing	9-11
101	Casing gasket	18
104	Casing capscrew	14
106	Casing support foot	30
108	Casing support foot capscrews (UPR)	31
110	Bearing frame support foot	30
112	Brg. frm. support foot capscrews (UPR)	34
113	Jam nut	20&21
114	Brg. frm. support foot adjusting screw	20&21
122	Casing support foot capscrews (LWR)	32
124	Brg. frm. support foot capscrews (LWR)	33
140	Coupler	35&36

M SIZE

Exploded view - regreaseable bearings



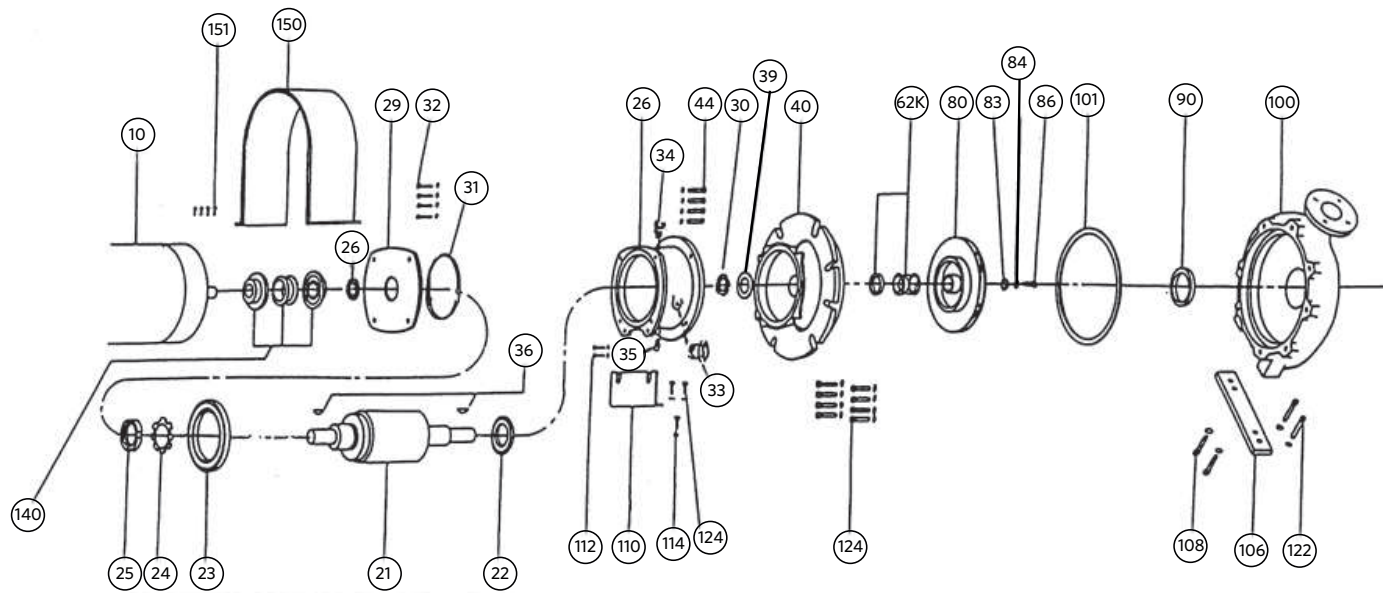
INDEX

ITEM	DESCRIPTION	PAGE
**	Bearing frame assembly	22&23
21	Shaft assembly	22&23
22	Ball bearing (inboard)	22&23
23	Ball bearing (outboard)	22&23
24	Spider washer	22&23
25	Locknut	22&23
26	Bearing frame	22&23
29	Bearing cover	22&23
32	Bearing cover capscrew	22&23
36	Impeller/coupler key	22&23
37	Grease fitting	22&23
39	Water slinger	22&23
40	Adapter	15-17
44	Adapter capscrew	19
62	Mechanical seal assembly	22&23

ITEM	DESCRIPTION	PAGE
80	Impeller	12&13
83	Impeller washer	22&23
86	Impeller capscrew	22&23
100	Casing	9-11
101	Casing gasket	18
104	Casing capscrew	14
106	Casing support foot	30
108	Casing support foot capscrews (UPR)	31
110	Bearing frame support foot	30
112	Brg. frm. support foot capscrews (UPR)	34
113	Jam nut	22&23
114	Brg. frm. support foot adjusting screw	22&23
122	Casing support foot capscrews (LWR)	32
124	Brg. frm. support foot capscrews (LWR)	33
140	Coupler	35&36

M SIZE

Exploded view - oil lubrication



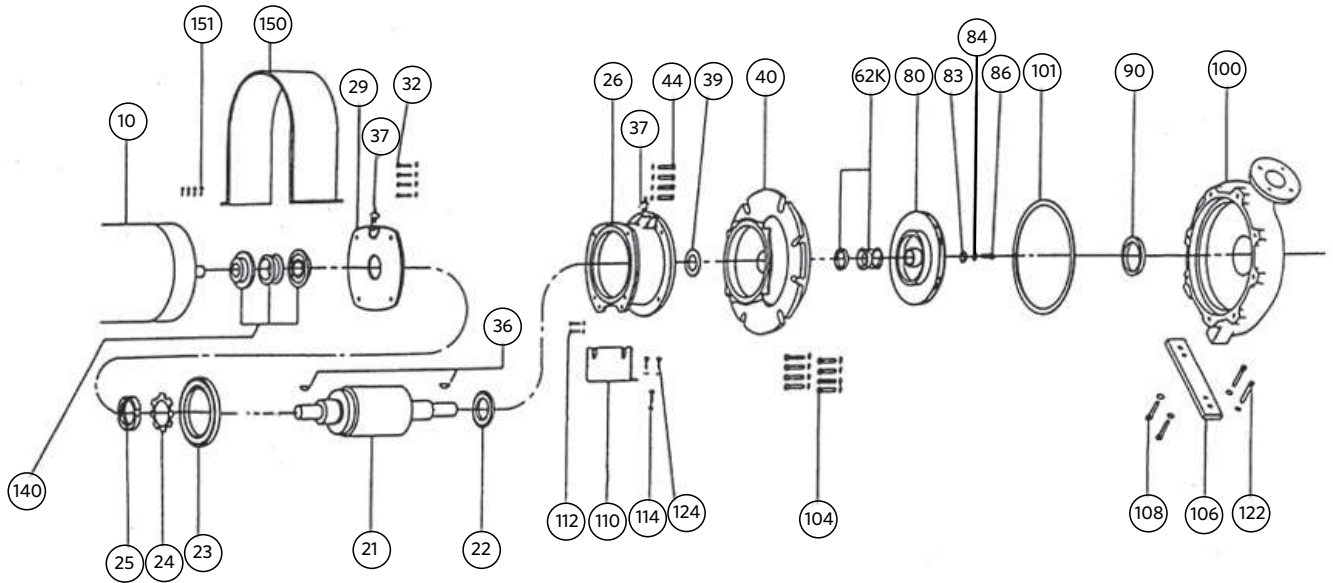
INDEX

ITEM	DESCRIPTION	PAGE
**	Bearing frame assembly	24&25
21	Shaft assembly	24&25
22	Ball bearing (inboard)	24&25
23	Ball bearing (outboard)	24&25
24	Spider washer	24&25
25	Locknut	24&25
26	Bearing frame	24&25
28	Oil seal (outboard)	24&25
29	Bearing cover	24&25
30	Oil seal (inboard)	24&25
31	"O" ring	24&25
32	Bearing cover capscrew	24&25
33	Oil view gauge	24&25
34	Vent fitting	24&25
35	Pipe plug	24&25
36	Impeller/coupler key	24&25
39	Water slinger	24&25
40	Adapter	15-17

ITEM	DESCRIPTION	PAGE
44	Adapter capscrew	19
62	Mechanical seal assembly	24&25
80	Impeller	12&13
83	Impeller washer	24&25
86	Impeller capscrew	24&25
100	Casing	9-11
101	Casing gasket	18
104	Casing capscrew	14
106	Casing support foot	30
108	Casing support foot capscrews (UPR)	31
110	Bearing frame support foot	30
112	Brg. frm. support foot capscrews (UPR)	34
113	Jam nut	24&25
114	Brg. frm. support foot adjusting screw	24&25
122	Casing support foot capscrews (LWR)	32
124	Brg. frm. support foot capscrews (LWR)	33
140	Coupler	35&36

MHD SIZE

Exploded view - regreaseable bearings



INDEX

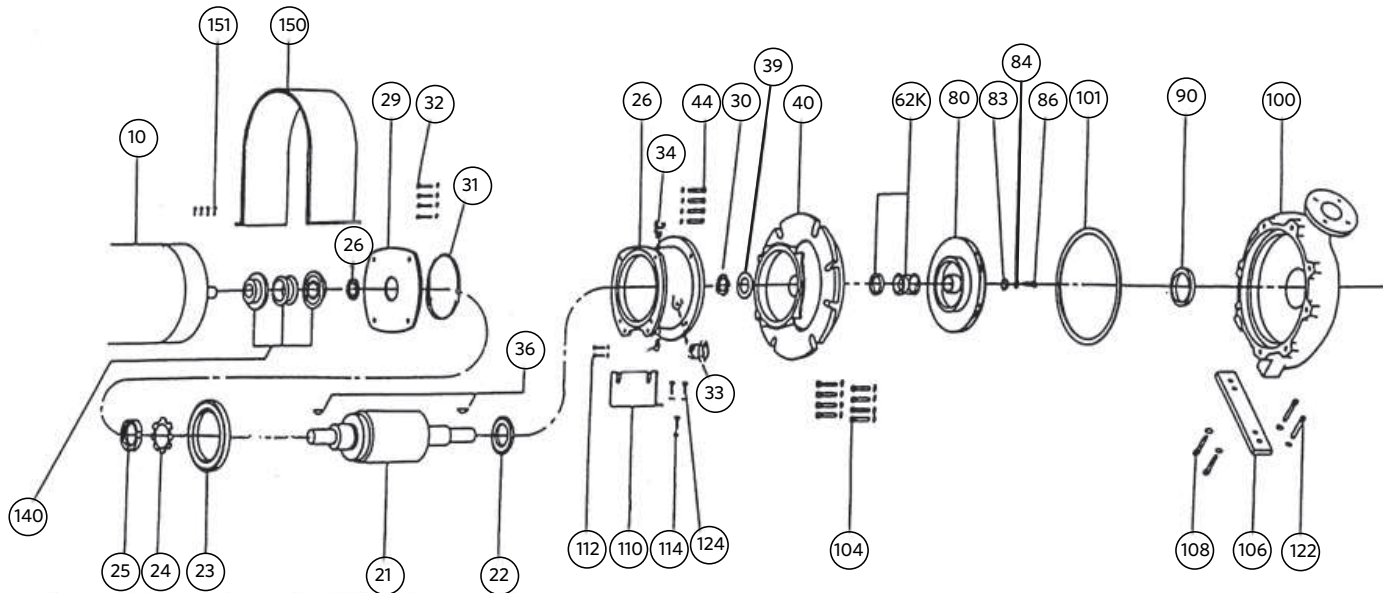
ITEM	DESCRIPTION	PAGE
**	Bearing frame assembly	26&27
21	Shaft assembly	26&27
22*	Bearing (inboard)	26&27
23*	Bearing (outboard)	26&27
24	Spider washer	26&27
25	Locknut	26&27
26	Bearing frame	26&27
29	Bearing cover	26&27
32	Bearing cover capscrew	26&27
36	Impeller/coupler key	26&27
37	Grease fitting	26&27
39	Water slinger	26&27
40	Adapter	15-17
44	Adapter capscrew	19
62	Mechanical seal assembly	26&27

ITEM	DESCRIPTION	PAGE
80	Impeller	12&13
83	Impeller washer	26&27
86	Impeller capscrew	26&27
100	Casing	9-11
101	Casing gasket	18
104	Casing capscrew	14
106	Casing support foot	30
108	Casing support foot capscrews (UPR)	31
110	Bearing frame support foot	30
112	Brg. frm. support foot capscrews (UPR)	34
113	Jam nut	26&27
114	Brg. frm. support foot adjusting screw	26&27
122	Casing support foot capscrews (LWR)	32
124	Brg. frm. support foot capscrews (LWR)	33
140	Coupler	35&36

* **NOTE:** Bearings are special---double row angular contact

MHD & MXHD SIZE

Exploded view - oil lubrication



INDEX

ITEM	DESCRIPTION	PAGE
**	Bearing frame assembly	28&29
21	Shaft assembly	28&29
22*	Bearing (inboard)	28&29
23*	Bearing (outboard)	28&29
24	Spider washer	28&29
25	Locknut	28&29
26	Bearing frame	28&29
28	Oil seal (outboard)	28&29
29	Bearing cover	28&29
30	Oil seal (inboard)	28&29
31	"O" ring	28&29
32	Bearing cover capscrew	28&29
33	Oil view gauge	28&29
34	Vent fitting	28&29
35	Pipe plug	28&29
36	Impeller/coupler key	28&29
39	Water slinger	28&29
40	Adapter	15-17

ITEM	DESCRIPTION	PAGE
44	Adapter capscrew	19
62	Mechanical seal assembly	28&29
80	Impeller	12-13
83	Impeller washer	28&29
86	Impeller capscrew	28&29
100	Casing	9-11
101	Casing gasket	18
104	Casing capscrew	14
106	Casing support foot	30
108	Casing support foot capscrews (UPR)	31
110	Bearing frame support foot	30
112	Brg. frm. support foot capscrews (UPR)	34
113	Jam nut	28&29
114	Brg. frm. support foot adjusting screw	28&29
122	Casing support foot capscrews (LWR)	32
124	Brg. frm. support foot capscrews (LWR)	33
140	Coupler	35&36

* NOTE: Bearings are special---double row angular contact

ITEM 100: CASING

PUMP SIZE	PRESSURE RATING (LB)	CONSTRUCTION	PART NUMBER
4 × 3 × 6	125	Bronze fitted & all iron	427292-011
	250	Ductile iron	427293-031
	125	All bronze	427292-041
3 × 1½ × 8	125	Bronze fitted & all iron	426599-011
	250	Ductile iron	426600-031
	125	All bronze	426599-041
3 × 2 × 8	125	Bronze fitted & all iron	426125-011
	250	Ductile iron	426126-031
	125	All bronze	426125-041
3 × 2½ × 8	125	Bronze fitted & all iron	427236-011
	250	Ductile iron	427237-031
	125	All bronze	427236-041
4 × 3 × 8	125	Bronze fitted & all iron	426129-011
	250	Ductile iron	426130-031
	125	All bronze	426129-041
5 × 4 × 8	125	Bronze fitted & all iron	426107-011
	250	Ductile iron	426108-031
	125	All bronze	426107-041
6 × 4 × 8	125	Bronze fitted & all iron	426624-011
	250	Ductile iron	426625-031
	125	All bronze	426624-041
8 × 8 × 8	125	Bronze fitted & all iron	427913-011
	250	Ductile iron	427913-031
	125	All bronze	427913-041
2 × 1 × 10	125	Bronze fitted & all iron	426137-011
	250	Ductile iron	426138-031
	125	All bronze	426137-041
2 × 1.5 × 10	125	Bronze fitted & all iron	426259-011
	250	Ductile iron	426260-031
	125	All bronze	426259-041
3 × 1½ × 10	125	Bronze fitted & all iron	426139-011
	250	Ductile iron	426140-031
	125	All bronze	426139-041

ITEM 100: CASING (continued)

PUMP SIZE	PRESSURE RATING (LB)	CONSTRUCTION	PART NUMBER
3 × 2 × 10	125	Bronze fitted & all iron	426143-011
	250	Ductile iron	426144-031
	125	All bronze	426143-041
3 × 2½ × 10	125	Bronze fitted & all iron	427290-011
	250	Ductile iron	427291-031
	125	All bronze	427290-041
4 × 3 × 10	125	Bronze fitted & all iron	426149-011
	250	Ductile iron	426150-031
	125	All bronze	426149-041
5 × 4 × 10** (PRE AUGUST 2015)	125	Bronze fitted	426111-011
	250	Ductile iron	426112-031
	125	All bronze	426111-041
5 × 4 × 10** (POST AUGUST 2015)	125	Bronze fitted	426134-011
	250	Ductile iron	426135-031
6 × 4 × 10	125	Bronze fitted & all iron	426153-011
	250	Ductile iron	426154-011
	125	All bronze	426153-041
6 × 5 × 10	125	Bronze fitted & all iron	427238-011
	250	Ductile iron	427239-041
	125	All bronze	427238-041
8 × 6 × 10	125	Bronze fitted & all iron	426605-011
	250	Ductile iron	426606-031
	125	All bronze	426605-041
4 × 3 × 11½	125	Bronze fitted & all iron	426147-011
	250	Ductile iron	426148-031
	125	All bronze	426147-041
5 × 4 × 11½	125	Bronze fitted & all iron	426151-011
	250	Ductile iron	426152-031
	125	All bronze	426151-041
6 × 5 × 11½	125	Bronze fitted & all iron	426155-011
	250	Ductile iron	426156-031
	125	All bronze	426155-041

NOTE: ** For the 5x4x10 pump, there was a revision to the the casing and impeller done in August 2015. These two parts are not interchangeable between the old and new pumps. Please consult your Armstrong representative if you need extra assistance

ITEM 100: CASING (continued)

PUMP SIZE	PRESSURE RATING (LB)	CONSTRUCTION	PART NUMBER
8 × 6 × 11½	125	Bronze fitted & all iron	426159-011
	250	Ductile iron	426160-031
	125	All bronze	426159-041
3 × 1½ × 13	125	Bronze fitted & all iron	426607-011
	250	Ductile iron	426608-031
	125	All bronze	426607-041
3 × 2 × 13	125	Bronze fitted & all iron	426165-011
	250	Ductile iron	426166-031
	125	All bronze	426165-041
4 × 3 × 13	125	Bronze fitted & all iron	426169-011
	250	Ductile iron	426170-031
	125	All bronze	426169-041
6 × 4 × 13†	125	Bronze fitted & all iron	427195-011
	250	Ductile iron	427196-031
6 × 4 × 13H	125	Bronze fitted & all iron	427195-017
	250	Ductile iron	427196-037
6 × 5 × 13	125	Bronze fitted & all iron	427191-011
	250	Ductile iron	427192-031
6 × 5 × 13H	125	Bronze fitted & all iron	427191-017
	250	Ductile iron	427192-037
8 × 6 × 13** (PRE AUGUST 2015)	125	Bronze fitted	427189-011
	250	Ductile iron	427190-031
	125	All bronze	427189-041
8 × 6 × 13** (POST AUGUST 2015)	125	Bronze fitted	426177-011
	250	Ductile iron	426178-031
	125	Stainless Steel	426177-071

NOTE:

† For 6×4×13 units pre-June 2013, casing & impeller must be replaced together. Contact Armstrong for details.

** For the 8×6×13 pump, there was a revision to the casing and impeller done in August 2015. These two parts are not interchangeable between the old and new pumps. Please consult your Armstrong representative if you need extra assistance.

ITEM 80: IMPELLER*

PUMP SIZE	CONSTRUCTION**	PART NUMBER
4 × 3 × 6	Bronze fitted & all bronze	427118-041
	Ductile iron & all iron	427118-011
3 × 1½ × 8	Bronze fitted & all bronze	427122-041
	Ductile iron & all iron	427122-011
3 × 2 × 8	Bronze fitted & all bronze	427126-041
	Ductile iron & all iron	427126-011
3 × 2½ × 8	Bronze fitted & all bronze	427128-041
	Ductile iron & all iron	427128-031
4 × 3 × 8	Bronze fitted & all bronze	427130-041
	Ductile iron & all iron	427130-011
5 × 4 × 8	Bronze fitted & all bronze	427138-041
	Ductile iron & all iron	427138-011
6 × 4 × 8	Bronze fitted & all bronze	427138-041
	Ductile iron & all iron	427138-011
8 × 8 × 8	Bronze fitted & all bronze	427918-041
	Ductile iron & all iron	427918-011
2 × 1 × 10	Bronze fitted & all bronze	427152-041
	Ductile iron & all iron	427152-011
2 × 1.5 × 10	Bronze fitted & all bronze	426256-041
	Ductile iron & all iron	426256-011
3 × 1½ × 10	Bronze fitted & all bronze	427152-041
	Ductile iron & all iron	427152-011
3 × 2 × 10	Bronze fitted & all bronze	427164-041
	Ductile iron & all iron	427164-011
3 × 2½ × 10	Bronze fitted & all bronze	427124-041
	Ductile iron & all iron	427124-011
4 × 3 × 10	Bronze fitted & all bronze	427150-041
	Ductile iron & all iron	427150-011
5 × 4 × 10*** (PRE AUGUST 2015)	Bronze fitted & all bronze	427154-041
	Ductile iron & all iron	427154-011
5 × 4 × 10*** (POST AUGUST 2015)	Bronze fitted & all bronze	426272- 041
	Ductile iron & all iron	426272- 011
6 × 4 × 10	Bronze fitted & all bronze	427154-041
	Ductile iron & all iron	427154-011

ITEM 80: IMPELLER* (continued)

PUMP SIZE	CONSTRUCTION**	PART NUMBER
6 × 5 × 10	Bronze fitted & all bronze	427160-041
	Ductile iron & all iron	427160-011
8 × 6 × 10	Bronze fitted & all bronze	427157-041
	Ductile iron & all iron	427157-011
4 × 3 × 11½	Bronze fitted & all bronze	426282-041
	Ductile iron & all iron	426282-011
5 × 4 × 11½	Bronze fitted & all bronze	426284-041
	Ductile iron & all iron	426284-011
6 × 5 × 11½	Bronze fitted & all bronze	426288-041
	Ductile iron & all iron	426288-011
8 × 6 × 11½	Bronze fitted & all bronze	426289-041
	Ductile iron & all iron	426289-011
3 × 1½ × 13	Bronze fitted & all bronze	427161-041
	Ductile iron & all iron	427161-011
3 × 2 × 13	Bronze fitted & all bronze	427165-041
	Ductile iron & all iron	427165-011
4 × 3 × 13	Bronze fitted & all bronze	427175-041
	Ductile iron & all iron	427175-011
6 × 4 × 13†	Bronze fitted & all bronze	427186-041
	Ductile iron & all iron	427186-011
6 × 4 × 13H	Bronze fitted & all bronze	427182-041
	Ductile iron & all iron	427182-011
6 × 5 × 13	Bronze fitted	427182-041
6 × 5 × 13H	Bronze fitted	427177-041
8 × 6 × 13*** (PRE AUGUST 2015)	Bronze fitted & all bronze	427205-041
	Ductile iron & all iron	427205-011
8 × 6 × 13** (POST AUGUST 2015)	Bronze fitted & all bronze	427177-041
	Ductile iron & all iron	427177-011
	Stainless Steel	427177-071

NOTE:

- * Impeller part numbers are for unbalanced, full diameter impellers. Always specify the Pump serial number. If possible, measure the diameter of the impeller being replaced.
- ** B. F. Denotes "Bronze Fitted" construction. Parts in contact with the pumped liquid are bronze or copper, except casing and adapter.
A. I. Denotes "All Iron" construction. Parts in contact with the pumped liquid are cast iron or steel, except shaft sleeve & mechanical seal.
- *** For the 5x4x10 and 8x6x13 pumps, there was a revision to the the casing and impeller done in August 2015. These two parts are not interchangeable between the old and new pumps. Please consult your Armstrong representative if you need extra assistance
- † For 6x4x13 units pre-June 2013, casing & impeller must be replaced together. Contact Armstrong for details.

ITEM 104: CASING CAPSCREW & WASHER

PUMP SIZE	NUMBER REQUIRED	SIZE	PART NUMBER
4 × 3 × 6	8	CAPSCREW ½" - 13NC X 1¼" LG.	911125-110
	8	WASHER ½" - SAE FLAT	927117-100
3 × 1½ × 8 3 × 2 × 8 3 × 2½ × 8 4 × 3 × 8 5 × 4 × 8 6 × 4 × 8W 8 × 8 × 8	8	CAPSCREW ⅝" - 11NC X 1½" LG.	911129-112
	8	WASHER ⅝" - SAE FLAT	927121-100
2 × 1 × 10 2 × 1.5 × 10 3 × 1½ × 10 3 × 2 × 10 3 × 2½ × 10 4 × 3 × 10 5 × 4 × 10 6 × 4 × 10 6 × 5 × 10 8 × 6 × 10	12	CAPSCREW ⅝" - 11NC X 1½" LG.	911129-112
	12	WASHER ⅝" - SAE FLAT	927121-100
4 × 3 × 11½ 5 × 4 × 11½ 6 × 5 × 11½ 8 × 6 × 11½	16	CAPSCREW ½" - 13NC X 1½" LG.	911125-112
	16	WASHER ½" - SAE FLAT	927117-100
3 × 1½ × 13 3 × 2 × 13 4 × 3 × 13 6 × 4 × 13 6 × 4 × 13H 6 × 5 × 13 6 × 5 × 13H 8 × 6 × 13	16	CAPSCREW ⅝" - 11NC X 1½" LG.	911129-112
	16	WASHER ⅝" - SAE FLAT	927121-100

ITEM 40: ADAPTER

125 LB - Bronze fitted and all iron construction

PUMP SIZE	FRAME SIZES			
	56, 143 - 184T	213 - 215T	254 - 256T	284 - 286T/284 - 286TS, 324 - 326T/324 - 326TS, 364 - 365T/364 - 365TS/404TS
4 × 3 × 6	—	426748-011	426748-011	—
3 × 1½ × 8	—	—	—	426751-011
3 × 2 × 8	—	—	—	426751-011
3 × 2½ × 8	—	426751-011	426751-011	426751-011
4 × 3 × 8	—	426751-011	426751-011	426751-011
5 × 4 × 8	—	426751-015	426751-015	426751-015
6 × 4 × 8	—	426751-015	426751-015	426751-015
8 × 8 × 8	—	426751-015	426751-015	—
2 × 1 × 10	426755-011	426755-011	426755-011	426755-011
2 × 1.5 × 10	426755-011	426755-011	426755-011	426755-011
3 × 1½ × 10	426755-011	426755-011	426755-011	426755-011
3 × 2 × 10	—	426755-011	426755-011	426755-011
3 × 2½ × 10	—	426755-015	426755-015	426755-015
4 × 3 × 10	—	—	—	426755-015
5 × 4 × 10	—	426755-015	426755-015	426755-015
6 × 4 × 10	—	426755-015	426755-015	426755-015
6 × 5 × 10	—	426755-015	426755-015	426755-015
8 × 6 × 10	—	—	426755-011	426755-011
4 × 3 × 11½	—	—	—	426742-011
5 × 4 × 11½	—	426742-011	—	426742-011
6 × 5 × 11½	—	—	426742-011	426742-011
8 × 6 × 11½	—	—	426742-011	426742-011
3 × 1½ × 13	—	426759-011	426759-011	426759-011
3 × 2 × 13	—	426759-011	426759-011	426759-011
4 × 3 × 13	—	426759-011	426759-011	426759-011
6 × 4 × 13	—	—	426759-011	426759-011
6 × 4 × 13H	—	—	426759-011	426759-011
6 × 5 × 13	—	—	426759-011	426759-011
6 × 5 × 13H	—	—	426759-011	426759-011
8 × 6 × 13	—	—	426759-011	426759-011

ITEM 40: ADAPTER

250 LB - Ductile iron construction

PUMP SIZE	FRAME SIZES			
	56, 143 - 184T	213 - 215T	254 - 256T	284 - 286T/284 - 286TS, 324 - 326T/324 - 326TS, 364 - 365T/364 - 365TS/404TS
4 × 3 × 6	—	426748-031	426748-031	—
3 × 1½ × 8	—	—	—	426751-031
3 × 2 × 8	—	—	—	426751-031
3 × 2½ × 8	—	426751-031	426751-031	426751-031
4 × 3 × 8	—	426751-031	426751-031	426751-031
5 × 4 × 8	—	426751-035	426751-035	426751-035
6 × 4 × 8	—	426751-035	426751-035	426751-035
8 × 8 × 8	—	426751-035	426751-035	—
2 × 1 × 10	426755-031	426755-031	426755-031	426755-031
2 × 1.5 × 10	426755-031	426755-031	426755-031	426755-031
3 × 1½ × 10	426755-031	426755-031	426755-031	426755-031
3 × 2 × 10	—	426755-031	426755-031	426755-031
3 × 2½ × 10	—	426755-035	426755-035	426755-035
4 × 3 × 10	—	—	—	426755-035
5 × 4 × 10	—	426755-035	426755-035	426755-035
6 × 4 × 10	—	—	—	426755-035
6 × 5 × 10	—	426755-035	426755-035	426755-035
8 × 6 × 10	—	—	426755-031	426755-031
4 × 3 × 11½	—	—	—	426742-031
5 × 4 × 11½	—	426755-031	—	426742-031
6 × 5 × 11½	—	—	426742-031	426742-031
8 × 6 × 11½	—	—	426742-031	426742-031
3 × 1½ × 13	—	426759-031	426759-031	426759-031
3 × 2 × 13	—	426759-031	426759-031	426759-031
4 × 3 × 13	—	426759-031	426759-031	426759-031
6 × 4 × 13	—	—	426759-031	426759-031
6 × 4 × 13H	—	—	426759-031	426759-031
6 × 5 × 13	—	—	426759-031	426759-031
6 × 5 × 13H	—	—	426759-031	426759-031
8 × 6 × 13	—	—	426759-031	426759-031

ITEM 40: ADAPTER

125 LB - All bronze construction

PUMP SIZE	FRAME SIZES			
	56, 143 - 184T	213 - 215T	254 - 256T	284 - 286T/284 - 286TS, 324 - 326T/324 - 326TS, 364 - 365T/364 - 365TS/404TS
4 × 3 × 6	—	426748-041	426748-041	—
3 × 1½ × 8	—	—	—	426751-041
3 × 2 × 8	—	—	—	426751-041
3 × 2½ × 8	—	426751-041	426751-041	426751-041
4 × 3 × 8	—	426751-041	426751-041	426751-041
5 × 4 × 8	—	426751-045	426751-045	426751-045
6 × 4 × 8	—	426751-045	426751-045	426751-045
8 × 8 × 8	—	426751-045	426751-045	—
2 × 1 × 10	426755-041	426755-041	426755-041	426755-041
2 × 1.5 × 10	426755-041	426755-041	426755-041	426755-041
3 × 1½ × 10	426755-041	426755-041	426755-041	426755-041
3 × 2 × 10	—	426755-041	426755-041	426755-041
3 × 2½ × 10	—	426755-045	426755-045	426755-045
4 × 3 × 10	—	—	—	426755-045
5 × 4 × 10	—	426755-045	426755-045	426755-045
6 × 4 × 10	—	—	—	426755-045
6 × 5 × 10	—	426755-045	426755-045	426755-045
8 × 6 × 10	—	—	426755-041	426755-041
4 × 3 × 11½	—	—	—	426755-041
5 × 4 × 11½	—	426755-041	—	426755-041
6 × 5 × 11½	—	—	426742-041	426755-041
8 × 6 × 11½	—	—	426742-041	426742-041
3 × 1½ × 13	—	426759-041	426759-041	426759-041
3 × 2 × 13	—	426759-041	426759-041	426759-041
4 × 3 × 13	—	426759-041	426759-041	426759-041
6 × 4 × 13	—	—	426759-041	426759-041
6 × 4 × 13H	—	—	426759-041	426759-041
6 × 5 × 13	—	—	426759-041	426759-041
6 × 5 × 13H	—	—	426759-041	426759-041
8 × 6 × 13	—	—	426759-041	426759-041

ITEM 101: CASING GASKET

PUMP SIZE	DIMENSIONS O.D. x I.D. x THICKNESS	PART NUMBER
4 x 3 x 6	7" x 6 ¹ / ₄ " x ¹ / ₁₆ "	426401-002
3 x 1 ¹ / ₂ x 8 3 x 2 x 8 3 x 2 ¹ / ₂ x 8 4 x 3 x 8 5 x 4 x 8 6 x 4 x 8 8 x 8 x 8	9" x 8 ¹ / ₄ " x ¹ / ₁₆ "	426401-003
2 x 1 x 10 2 x 1.5 x 10 3 x 1 ¹ / ₂ x 10 3 x 2 x 10 3 x 2 ¹ / ₂ x 10 4 x 3 x 10 5 x 4 x 10 6 x 4 x 10 6 x 5 x 10 8 x 5 x 10 8 x 6 x 10	10 ⁵ / ₁₆ " x 10 ³ / ₁₆ " x ¹ / ₁₆ "	426401-004
4 x 3 x 11 ¹ / ₂ 5 x 4 x 11 ¹ / ₂ 6 x 5 x 11 ¹ / ₂ 8 x 6 x 11 ¹ / ₂	12 ⁵ / ₁₆ " x 11 ⁹ / ₁₆ " x ¹ / ₁₆ "	426401-006
3 x 1 ¹ / ₂ x 13 3 x 2 x 13 4 x 3 x 13 6 x 4 x 13 6 x 4 x 13H 6 x 5 x 13 6 x 5 x 13H 8 x 6 x 13	14" x 13 ¹ / ₄ " x ¹ / ₁₆ "	426401-005

ITEM 44: BEARING HOUSING CAPSCREW & WASHER

PUMP SIZE	NUMBER REQUIRED	SIZE	PART NUMBER
4 × 3 × 6	4	CAPSCREW ½" - 16NC X 1¼" LG.	911125-110
3 × 1½ × 8			
3 × 2 × 8			
3 × 2½ × 8			
4 × 3 × 8			
5 × 4 × 8			
6 × 4 × 8			
8 × 8 × 8			
2 × 1 × 10			
2 × 1.5 × 10			
3 × 1½ × 10			
3 × 2 × 10			
3 × 2½ × 10			
4 × 3 × 10			
5 × 4 × 10			
6 × 4 × 10			
6 × 5 × 10			
8 × 6 × 10			
4 × 3 × 11½	4	WASHER ½" - FLAT	927117-100
5 × 4 × 11½			
6 × 5 × 11½			
8 × 6 × 11½			
3 × 1½ × 13			
3 × 2 × 13			
4 × 3 × 13			
6 × 4 × 13			
6 × 4 × 13H			
6 × 5 × 13			
6 × 5 × 13H			
8 × 6 × 13			

M SIZE**BEARING FRAME ASSEMBLY (STD. FOR B.F.CONSTRUCTION)**

Steel shaft, permanently lubricated bearings

ITEM NUMBER	DESCRIPTION	PART NUMBER
	Bearing frame assembly ^①	426771-000
26	Bearing housing	426765-012
21	Shaft & sleeve assembly	426761-001
22	Inboard bearing	971101-384
23	Outboard bearing	971101-704
24	Lockwasher	426364-007
25	Locknut	426364-006
29	Bearing cap	426767-011
32	Bearing capscrews 3/8" - 16NC X 1 1/4" LG (4 req'd)	911121-110
36	Impeller key	428161-714
36	Coupler key	428161-714
39	Water slinger	419315-000

NOTE :

① Items 21 to 39 inclusive are included in the bearing frame assembly.

COMMON PARTS

ITEM NUMBER	DESCRIPTION	PART NUMBER BF & AI
62K	Mechanical seal kit	975000-984**
83	Impeller washer	425742-003
86	S/S impeller capscrew	911900-119
114	Sup. ft. adjusting screw 3/8"-16NC X 1" LG. (1 REQ'D)	911121-108
113	Adjusting screw nut 3/8"-16NC JAM (1 REQ'D)	913521-100

** For liquids above 200°F/93°C use 9975001-833 (-633 if potable drinking water above 200°F/93°C)
For glycols above 30% by weight use 9975001-837 (-838 if above 200°F/93°C)

M SIZE

BEARING FRAME ASSEMBLY (STD. FOR A.B.CONSTRUCTION)

Stainless steel shaft, permanently lubricated bearings

ITEM NUMBER	DESCRIPTION	PART NUMBER
	Bearing frame assembly ①	426771-071
26	Bearing housing	426765-011
21	Shaft & sleeve assembly	426761-071
22	Inboard bearing	971101-384
23	Outboard bearing	971101-704
24	Lockwasher	426364-007
25	Locknut	426364-006
29	Bearing cap	426767-011
32	Bearing capscrews 3/8" - 16NC X 1 1/4" LG (4 req'd)	911121-110
36	Impeller key	428161-714
36	Coupler key	428161-714
39	Water slinger	419315-000

NOTE :

① Items 21 to 39 inclusive are included in the bearing frame assembly.

COMMON PARTS

ITEM NUMBER	DESCRIPTION	PART NUMBER BF & AI
62K	Mechanical seal kit	975000-984**
83	Impeller washer	425742-003
86	S/S impeller capscrew	911900-119
114	Sup. ft. adjusting screw 3/8"-16NC X 1" LG. (1 REQ'D)	911121-108
113	Adjusting screw nut 3/8"-16NC JAM (1 REQ'D)	913521-100

** For liquids above 200°F/93°C use 9975001-833 (-633 if potable drinking water above 200°F/93°C)
For glycols above 30% by weight use 9975001-837 (-838 if above 200°F/93°C)

M SIZE

BEARING FRAME ASSEMBLY

Steel shaft, regreaseable bearings

ITEM NUMBER	DESCRIPTION	PART NUMBER
	Bearing frame assembly ①	426772-000
26	Bearing housing	426765-012
21	Shaft & sleeve assembly	426761-001
22	Inboard bearing	971101-383
23	Outboard bearing	971101-703
24	Lockwasher	426364-007
25	Locknut	426364-006
29	Bearing cap	426767-012
32	Bearing capscrews 3/8" - 16NC X 1 1/4" LG (4 req'd)	911121-110
37	Grease fitting	425030-011
36	Impeller key	428161-714
36	Coupler key	428161-714
39	Water slinger	419315-000

NOTE :

① Items 21 to 39 inclusive are included in the bearing frame assembly.

COMMON PARTS

ITEM NUMBER	DESCRIPTION	PART NUMBER BF & AI
62K	Mechanical seal kit	975000-984**
83	Impeller washer	425742-003
86	S/S impeller capscrew	911900-119
114	Sup. ft. adjusting screw 3/8"-16NC X 1" LG. (1 REQ'D)	911121-108
113	Adjusting screw nut 3/8"-16NC JAM (1 REQ'D)	913521-100

** For liquids above 200°F/93°C use 9975001-833 (-633 if potable drinking water above 200°F/93°C)
For glycols above 30% by weight use 9975001-837 (-838 if above 200°F/93°C)

M SIZE

BEARING FRAME ASSEMBLY (ALT. FOR A.B. CONSTRUCTION)

Stainless steel shaft, regreaseable bearings

ITEM NUMBER	DESCRIPTION	PART NUMBER
	Bearing frame assembly ^①	426772-071
26	Bearing housing	426765-012
21	Shaft & sleeve assembly	426761-071
22	Inboard bearing	971101-383
23	Outboard bearing	971101-703
24	Lockwasher	426364-007
25	Locknut	426364-006
29	Bearing cap	426767-012
32	Bearing capscrews 3/8" - 16NC X 1 1/4" LG (4 req'd)	911121-110
-	Grease fitting	425030-011
36	Impeller key	428161-714
36	Coupler key	428161-714
39	Water slinger	419315-000

NOTE :

① Items 21 to 39 inclusive are included in the bearing frame assembly.

COMMON PARTS

ITEM NUMBER	DESCRIPTION	PART NUMBER BF & AI
62K	Mechanical seal kit	975000-984**
83	Impeller washer	425742-003
86	S/S impeller capscrew	911900-119
114	Sup. ft. adjusting screw 3/8"-16NC X 1" LG. (1 REQ'D)	911121-108
113	Adjusting screw nut 3/8"-16NC JAM (1 REQ'D)	913521-100

** For liquids above 200°F/93°C use 9975001-833 (-633 if potable drinking water above 200°F/93°C)
For glycols above 30% by weight use 9975001-837 (-838 if above 200°F/93°C)

M SIZE**BEARING FRAME ASSEMBLY**

Steel shaft, oil lubricated

ITEM NUMBER	DESCRIPTION	PART NUMBER
	Bearing frame assembly ①	426773-000
26	Bearing housing	426765-013
21	Shaft & sleeve assembly	426761-001
22	Inboard bearing	971101-917
23	Outboard bearing	971101-918
24	Lockwasher	426364-007
25	Locknut	426364-006
28	Outboard oil seal	965001-150
29	Bearing cap	426767-013
30	Inboard oil seal	965001-120
31	"O" ring	961131-243
32	Bearing capscrews 3/8" - 16NC X 1 1/4" LG (4 req'd)	911121-110
33	Oil view gauge	116904-000
34	Air vent	407444-000
35	Pipe plug 1/8" NPT (1 req'd)	937105-200
36	Impeller key	428161-714
36	Coupler key	428161-714
39	Water slinger	419315-000

NOTE :

① Items 21 to 39 inclusive are included in the bearing frame assembly.

COMMON PARTS

ITEM NUMBER	DESCRIPTION	PART NUMBER BF & AI
62K	Mechanical seal kit	975000-984**
83	Impeller washer	425742-003
86	S/S impeller capscrew	911900-119
114	Sup. ft. adjusting screw 3/8" -16NC X 1" LG. (1 REQ'D)	911121-108
113	Adjusting screw nut 3/8" -16NC JAM (1 REQ'D)	913521-100

** For liquids above 200°F/93°C use 9975001-833 (-633 if potable drinking water above 200°F/93°C)
For glycols above 30% by weight use 9975001-837 (-838 if above 200°F/93°C)

M SIZE

BEARING FRAME ASSEMBLY (ALT. FOR A.B. CONSTRUCTION)

Stainless steel shaft, oil lubricated

ITEM NUMBER	DESCRIPTION	PART NUMBER
	Bearing frame assembly ^①	426773-071
26	Bearing housing	426765-013
21	Shaft & sleeve assembly	426761-071
22	Inboard bearing	971101-917
23	Outboard bearing	971101-918
24	Lockwasher	426364-007
25	Locknut	426364-006
28	Outboard oil seal	965001-150
29	Bearing cap	426767-013
30	Inboard oil seal	965001-120
31	"O" ring	961131-243
32	Bearing capscrews 3/8" - 16NC X 1 1/4" LG (4 req'd)	911121-110
33	Oil view gauge	116904-000
34	Air vent	407444-000
35	Pipe plug 1/8" NPT (1 req'd)	937105-200
36	Impeller key	428161-714
36	Coupler key	428161-714
39	Water slinger	419315-000

NOTE :

① Items 21 to 39 inclusive are included in the bearing frame assembly.

COMMON PARTS

ITEM NUMBER	DESCRIPTION	PART NUMBER BF & AI
62K	Mechanical seal kit	975000-984**
83	Impeller washer	425742-003
86	S/S impeller capscrew	911900-119
114	Sup. ft. adjusting screw 3/8" -16NC X 1" LG. (1 REQ'D)	911121-108
113	Adjusting screw nut 3/8" -16NC JAM (1 REQ'D)	913521-100

** For liquids above 200°F/93°C use 9975001-833 (-633 if potable drinking water above 200°F/93°C)
For glycols above 30% by weight use 9975001-837 (-838 if above 200°F/93°C)

MHD SIZE**BEARING FRAME ASSEMBLY**

Steel shaft, regreaseable bearings

ITEM NUMBER	DESCRIPTION	PART NUMBER
	Bearing frame assembly ^①	427816-000
26	Bearing housing	426774-012
21	Shaft & sleeve assembly	427833-001
22	Inboard bearing	971101-383
23	Outboard bearing (double row 50mm angular contact)	971115-901
Not shown	Grease shield	971900-003
24	Lockwasher	426364-003
25	Locknut	426364-004
29	Bearing cap	427813-012
32	Bearing capscrews 3/8" - 16NC X 1 1/4" LG (4 req'd)	911121-110
37	Grease fitting	425030-011
36	Impeller key	428161-714
36	Coupler key	428161-714
39	Water slinger	419315-000

NOTE :

① Items 21 to 39 inclusive are included in the bearing frame assembly.

COMMON PARTS

ITEM NUMBER	DESCRIPTION	PART NUMBER BF & AI
62K	Mechanical seal kit	975000-984**
83	Impeller washer	425742-003
86	S/S impeller capscrew	911900-119
114	Sup. ft. adjusting screw 3/8"-16NC X 1" LG. (1 REQ'D)	911121-108
113	Adjusting screw nut 3/8"-16NC JAM (1 REQ'D)	913521-100

** For liquids above 200°F/93°C use 9975001-833 (-633 if potable drinking water above 200°F/93°C)
For glycols above 30% by weight use 9975001-837 (-838 if above 200°F/93°C)

MHD SIZE

BEARING FRAME ASSEMBLY

Stainless steel shaft, regreaseable bearings

ITEM NUMBER	DESCRIPTION	PART NUMBER
	Bearing frame assembly ^①	427816-071
26	Bearing housing	426774-012
21	Shaft & sleeve assembly	427833-071
22	Inboard bearing	971101-383
23	Outboard bearing (double row 50mm angular contact)	971115-901
Not shown	Grease shield	971900-003
24	Lockwasher	426364-003
25	Locknut	426364-004
29	Bearing cap	427813-012
32	Bearing capscrews 3/8" - 16NC X 1 1/4" LG (4 req'd)	911121-110
-	Grease fitting	425030-011
36	Impeller key	428161-714
36	Coupler key	428161-714
39	Water slinger	419315-000

NOTE :

① Items 21 to 39 inclusive are included in the bearing frame assembly.

COMMON PARTS

ITEM NUMBER	DESCRIPTION	PART NUMBER BF & AI
62K	Mechanical seal kit	975000-984**
83	Impeller washer	425742-003
86	S/S impeller capscrew	911900-119
114	Sup. ft. adjusting screw 3/8"-16NC X 1" LG. (1 REQ'D)	911121-108
113	Adjusting screw nut 3/8"-16NC JAM (1 REQ'D)	913521-100

** For liquids above 200°F/93°C use 9975001-833 (-633 if potable drinking water above 200°F/93°C)
For glycols above 30% by weight use 9975001-837 (-838 if above 200°F/93°C)

MHD SIZE**BEARING FRAME ASSEMBLY**

Steel shaft, oil lubricated

ITEM NUMBER	DESCRIPTION	PART NUMBER
	Bearing frame assembly ①	427817-000
26	Bearing housing	426774-013
21	Shaft & sleeve assembly	427833-001
22	Inboard bearing	971101-383
23	Outboard bearing (double row 50mm angular contact)	971115-901
Not shown	Bearing shield	971900-003
24	Lockwasher	426364-003
25	Locknut	426364-004
28	Outboard oil seal	965001-150
29	Bearing cap	427813-013
30	Inboard oil seal	965001-120
31	"O" ring	961131-243
32	Bearing capscrews 3/8" - 16NC X 1 1/4" LG (4 req'd)	911121-110
33	Oil view gauge	116904-000
34	Air vent	407444-000
35	Pipe plug 1/8" NPT (1 req'd)	937105-200
36	Impeller key	428161-714
36	Coupler key	428161-714
39	Water slinger	419315-000

NOTE :

① Items 21 to 39 inclusive are included in the bearing frame assembly.

COMMON PARTS

ITEM NUMBER	DESCRIPTION	PART NUMBER BF & AI
62K	Mechanical seal kit	975000-984**
83	Impeller washer	425742-003
86	S/S impeller capscrew	911900-119
114	Sup. ft. adjusting screw 3/8"-16NC X 1" LG. (1 REQ'D)	911121-108
113	Adjusting screw nut 3/8"-16NC JAM (1 REQ'D)	913521-100

** For liquids above 200°F/93°C use 9975001-833 (-633 if potable drinking water above 200°F/93°C)
For glycols above 30% by weight use 9975001-837 (-838 if above 200°F/93°C)

MHD SIZE

BEARING FRAME ASSEMBLY

Steel shaft, oil lubricated

ITEM NUMBER	DESCRIPTION	PART NUMBER
	Bearing frame assembly ①	427817-071
26	Bearing housing	426774-013
21	Shaft & sleeve assembly	427833-071
22	Inboard bearing	971101-383
23	Outboard bearing (double row 50mm angular contact)	971115-901
Not shown	Bearing shield	971900-003
24	Lockwasher	426364-003
25	Locknut	426364-004
28	Outboard oil seal	965001-150
29	Bearing cap	427813-013
30	Inboard oil seal	965001-120
31	"O" ring	961131-243
32	Bearing capscrews 3/8" - 16NC X 1 1/4" LG (4 req'd)	911121-110
33	Oil view gauge	116904-000
34	Air vent	407444-000
35	Pipe plug 1/8" NPT (1 req'd)	937105-200
36	Impeller key	428161-714
36	Coupler key	428161-714
39	Water slinger	419315-000

NOTE :

① Items 21 to 39 inclusive are included in the bearing frame assembly.

COMMON PARTS

ITEM NUMBER	DESCRIPTION	PART NUMBER BF & AI
62K	Mechanical seal kit	975000-984**
83	Impeller washer	425742-003
86	S/S impeller capscrew	911900-119
114	Sup. ft. adjusting screw 3/8"-16NC X 1" LG. (1 REQ'D)	911121-108
113	Adjusting screw nut 3/8"-16NC JAM (1 REQ'D)	913521-100

** For liquids above 200°F/93°C use 9975001-833 (-633 if potable drinking water above 200°F/93°C)
For glycols above 30% by weight use 9975001-837 (-838 if above 200°F/93°C)

MXHD SIZE**BEARING FRAME ASSEMBLY**

Steel shaft, oil lubricated

ITEM NUMBER	DESCRIPTION	PART NUMBER
	Bearing frame assembly	427819-000
26	Bearing housing	428765-013
21	Shaft & sleeve assembly	427839-001
22	Inboard bearing	971300-004
23	Outboard bearing	971115-901
24	Lockwasher	426364-003
25	Locknut	426364-004
28	Outboard oil seal	965001-150
29	Bearing cap	428767-013
30	Inboard oil seal	965001-139
31	"O" ring	961131-243
32	Bearing capscrews 3/8"-16NCX1.250" LG (O4 req'd)	911121-110
33	Oil view gauge	116904-000
34	Air vent	407444-000
35	Pipe plug 1/8" NPT (1 req'd)	937105-200
36	Impeller key	428163-115
37	Coupling key	428161-712
39	Water slinger	419315-000
Not shown	Retaining ring, steel 45mm	923104-050
Not shown	Retaining ring, steel 85mm	923100-115

COMMON PARTS

ITEM NUMBER	DESCRIPTION	PART NUMBER BF & AI
62K	Mechanical seal kit	975000-984**
83	Impeller washer	425742-003
86	S/S impeller capscrew	911900-119
114	Sup. ft. adjusting screw 3/8"-16NC X 1" LG. (1 REQ'D)	911121-108
113	Adjusting screw nut 3/8"-16NC JAM (1 REQ'D)	913521-100

** For liquids above 200°F/93°C use 9975001-833 (-633 if potable drinking water above 200°F/93°C)
For glycols above 30% by weight use 9975001-837 (-838 if above 200°F/93°C)

MXHD SIZE**BEARING FRAME ASSEMBLY**

Stainless steel shaft, oil lubricated

ITEM NUMBER	DESCRIPTION	PART NUMBER
	Bearing frame assembly	427819-071
26	Bearing housing	428765-013
21	Shaft & sleeve assembly	427839-071
22	Inboard bearing	971300-004
23	Outboard bearing	971115-901
24	Lockwasher	426364-003
25	Locknut	426364-004
28	Outboard oil seal	965001-150
29	Bearing cap	428767-013
30	Inboard oil seal	965001-139
31	"O" ring	961131-243
32	Bearing capscrews 3/8"-16NCX1.250" LG (O4 req'd)	911121-110
33	Oil view gauge	116904-000
34	Air vent	407444-000
35	Pipe plug 1/8" NPT (1 req'd)	937105-200
36	Impeller key	428163-115
37	Coupling key	428161-712
39	Water slinger	419315-000
Not shown	Retaining ring, steel 45mm	923104-050
Not shown	Retaining ring, steel 85mm	923100-115

COMMON PARTS

ITEM NUMBER	DESCRIPTION	PART NUMBER BF & AI
62K	Mechanical seal kit	975000-984**
83	Impeller washer	425742-003
86	S/S impeller capscrew	911900-119
114	Sup. ft. adjusting screw 3/8"-16NC X 1" LG. (1 REQ'D)	911121-108
113	Adjusting screw nut 3/8"-16NC JAM (1 REQ'D)	913521-100

** For liquids above 200°F/93°C use 9975001-833 (-633 if potable drinking water above 200°F/93°C)
For glycols above 30% by weight use 9975001-837 (-838 if above 200°F/93°C)

ITEM 110: BEARING HOUSING SUPPORT FOOT

PUMP SIZE	PART NUMBER
4 × 3 × 6	426998-002
3 × 1½ × 8	426998-001
3 × 2 × 8	
3 × 2½ × 8	
4 × 3 × 8	
5 × 4 × 8	
6 × 4 × 8	
8 × 8 × 8	
2 × 1 × 10	
2 × 1.5 × 10	
3 × 1½ × 10	
3 × 2 × 10	
3 × 2½ × 10	
4 × 3 × 10	
5 × 4 × 10	
6 × 4 × 10	
6 × 5 × 10	
8 × 6 × 10	
4 × 3 × 11½**	
5 × 4 × 11½	
6 × 5 × 11½	
8 × 6 × 11½	426998-005
3 × 1½ × 13	428488-611
3 × 2 × 13	
4 × 3 × 13	
6 × 4 × 13	
6 × 4 × 13H	428488-511
6 × 5 × 13	
6 × 5 × 13H	426998-005
8 × 6 × 13	

ITEM 106: CASING SUPPORT FOOT

PUMP SIZE	PART NUMBER
4 × 3 × 6	Not required
3 × 1½ × 8	426556-000
3 × 2 × 8	426555-000
3 × 2½ × 8	426555-000
4 × 3 × 8	426555-000
5 × 4 × 8	426554-000
6 × 4 × 8	426554-000
8 × 8 × 8	426998-001
2 × 1 × 10	426555-000
2 × 1.5 × 10	426555-000
3 × 1½ × 10	Not required
3 × 2 × 10	Not required
3 × 2½ × 10**	426554-000
4 × 3 × 10	Not required
5 × 4 × 10	Not required
6 × 4 × 10	Not required
6 × 5 × 10	Not required
8 × 6 × 10	Not required
4 × 3 × 11½	Not required
5 × 4 × 11½	Not required
6 × 5 × 11½	Not required
8 × 6 × 11½	Not required
3 × 1½ × 13	Not required
3 × 2 × 13	Not required
4 × 3 × 13	Not required
6 × 4 × 13	Not required
6 × 4 × 13H	Not required
6 × 5 × 13	Not required
6 × 5 × 13H	Not required
8 × 6 × 13	Not required

NOTE: ** For Pumps 4 × 3 × 11½, Frame 284T use
Part number 426998-001

ITEM 108: CASING SUPPORT FOOT UPPER CAPSCREW

PUMP SIZE	NUMBER REQUIRED	SIZE	PART NUMBER
4 × 3 × 6	2	½-13NC X 1"	911125-108
3 × 1½ × 8	2	½-13NC X 3"	911125-124
3 × 2 × 8	2	½-13NC X 2"	911125-116
3 × 2½ × 8	2	½-13NC X 1"	911125-108
4 × 3 × 8	2	½-13NC X 2"	911125-116
5 × 4 × 8	2	½-13NC X 1"	911125-108
6 × 4 × 8	2	½-13NC X 1"	911125-108
8 × 8 × 8	2	½-13NC X 1"	911125-108
2 × 1 × 10	2	½-13NC X 2"	911125-116
2 × 1.5 × 10	2	½-13NC X 2"	911125-116
3 × 1½ × 10	Not required		
3 × 2 × 10	Not required		
3 × 2½ × 10**	2	½-13NC X 1"	911125-108
4 × 3 × 10	Not required		
5 × 4 × 10	Not required		
6 × 4 × 10	Not required		
6 × 5 × 10	Not required		
8 × 6 × 10	Not required		
4 × 3 × 11½	Not required		
5 × 4 × 11½	Not required		
6 × 5 × 11½	Not required		
8 × 6 × 11½	Not required		
3 × 1½ × 13	Not required		
3 × 2 × 13	Not required		
4 × 3 × 13	Not required		
6 × 4 × 13	Not required		
6 × 4 × 13H	Not required		
6 × 5 × 13	Not required		
6 × 5 × 13H	Not required		
8 × 6 × 13	Not required		

ITEM 122: CASING SUPPORT CAPSCREW AND WASHER

PUMP SIZE	FRAME SIZES 213 - 286TS	FRAME SIZES 324 - 404TS
4 × 3 × 6	Washer 2 required 7/16" flat 927116-100	Washer 2 required 1/2" flat 927118-100
3 × 1½ × 8		
3 × 2 × 8		
3 × 2½ × 8		
4 × 3 × 8*		
5 × 4 × 8		
6 × 4 × 8*		
8 × 8 × 8*		
2 × 1 × 10*		
2 × 1.5 × 10*		
3 × 1½ × 10*		
3 × 2 × 10*		
3 × 2½ × 10*		
4 × 3 × 10*		
5 × 4 × 10		
6 × 4 × 10		
6 × 5 × 10		
8 × 6 × 10		
4 × 3 × 11½	Capscrew 2 required 7/16 - 11NC X 1¼"	Capscrew 2 required 1/2 - 13NC X 1¼"
5 × 4 × 11½		
6 × 5 × 11½		
8 × 6 × 11½		
3 × 1½ × 13		
3 × 2 × 13		
4 × 3 × 13		
6 × 4 × 13		
6 × 4 × 13H		
6 × 5 × 13		
6 × 5 × 13H		
8 × 6 × 13		

NOTE:

- * For pumps 4 × 3 × 8, 6 × 4 × 8, 2 × 1 × 10 and 3 × 2 × 10 frame 254-256T
use 2 capscrews 7/16 - 11NC x 1" part number 911123-108, and 2 washers 7/16 flat part number 927116-100
- For pumps 4 × 3 × 8, 6 × 4 × 8, 2 × 1 × 10, 3 × 1½ × 10, 3 × 2 × 10 and 4 × 3 × 10 frame 324-326TS
use 2 capscrews 1/2 - 13NC x 2" part number 911125-116, and 2 washers 1/2 flat part number 927118-100
- For pumps 6 × 4 × 8, 3 × 2 × 10 and 4 × 3 × 10, frame 364-365TS
use 2 capscrews 1/2 - 13NC x 2" part number 911125-116, and 2 washers 1/2 flat part number 927118-100

ITEM 124: SUPPORT FOOT CAPSCREW AND WASHER

PUMP SIZE	FRAME SIZES 213 - 286TS	FRAME SIZES 324 - 404TS
4 × 3 × 6	Washer 2 required 7/16" flat 927116-100	Washer 2 required 1/2" flat 927118-100
3 × 1½ × 8		
3 × 2 × 8		
3 × 2½ × 8		
4 × 3 × 8*		
5 × 4 × 8		
6 × 4 × 8*		
8 × 8 × 8*		
2 × 1 × 10*		
2 × 1.5 × 10*		
3 × 1½ × 10*		
3 × 2 × 10*		
3 × 2½ × 10*		
4 × 3 × 10*		
5 × 4 × 10		
6 × 4 × 10		
6 × 5 × 10		
8 × 6 × 10		
4 × 3 × 11½		
5 × 4 × 11½		
6 × 5 × 11½		
8 × 6 × 11½		
3 × 1½ × 13	Capscrew 2 required 7/16 - 11NC X 1" 911123-108	Capscrew 2 required 1/2 - 13NC X 1" 911125-108
3 × 2 × 13		
4 × 3 × 13		
6 × 4 × 13		
6 × 4 × 13H		
6 × 5 × 13		
6 × 5 × 13H		
8 × 6 × 13		

NOTE:

* For pumps 6 × 4 × 8, 3 × 2 × 10 and 4 × 3 × 10 frame 364-365TS
Use 2 capscrews 1/2 - 13NC x 1½" part number 911125-112, and 2 washers 1/2 flat part number 927118-100

ITEM 112: SUPPORT FOOT/BRG. FRAME, CAPSCREW AND WASHER

PUMP SIZE	PART NUMBER
4 × 3 × 6	Washer 2 required ½" flat 927117-100
3 × 1½ × 8	
3 × 2 × 8	
3 × 2½ × 8	
4 × 3 × 8*	
5 × 4 × 8	
6 × 4 × 8*	
8 × 8 × 8*	
2 × 1 × 10*	
2 × 1.5 × 10*	
3 × 1½ × 10*	
3 × 2 × 10*	
3 × 2½ × 10*	
4 × 3 × 10*	
5 × 4 × 10	
6 × 4 × 10	
6 × 5 × 10	
8 × 6 × 10	
4 × 3 × 11½	
5 × 4 × 11½	
6 × 5 × 11½	
8 × 6 × 11½	
3 × 1½ × 13	Capscrew 2 required ½ - 13NC X 1" 911125-108
3 × 2 × 13	
4 × 3 × 13	
6 × 4 × 13	
6 × 4 × 13H	
6 × 5 × 13	
6 × 5 × 13H	
8 × 6 × 13	

COUPLER SELECTION TABLE (WOODS TYPE)

PUMP SHAFT SIZE	MOTOR FRAME SIZE	MOTOR SHAFT SIZE	COUPLER PART NUMBER	WOODS SIZE
1½"	213T – 215T	1¾"	827015 – 000	6J
1½"	254T – 286TS	1⅝"	827016 – 000	7J
1½"	284T – 326TS	1⅞"	827018 – 000	8s
1½"	324T – 326T	2⅛"	827021 – 000	9s
1½"	364TS – 365TS	1⅞"	827020 – 000	9s
1½"	364 – 365T	2¾"	827022 – 000	8s
1½"	404 – 405TS	2⅛"	827023 – 000	8s

COUPLER FLANGE PART NUMBERS

COUPLER PART NUMBER	MOTOR FRAME SIZE	FLANGE BORE	FLANGE PART NUMBER	WOODS SIZE
827015-000	213T – 215T	1¾"	975000-836	6J
		×		
		1½"	975000-834	6J
827016-000	254T – 286TS	1⅝"	975000-842	7J
		×		
		1⅞"	975000-840	7J
827018-000	284T – 326TS	1⅞"	975000-847	8s
		×		
		1½"	975000-845	8s
427021-000	324T – 326T	1½"	975000-849	9s
		×		
		2⅛"	975000-852	9s
427020-000	364TS – 365TS	1⅞"	975000-851	9s
		×		
		1½"	975000-849	9s
427022-000	364 – 365T	2¾"	975000-844	8s
		×		
		1⅞"	975000-845	8s
427023-000	404 – 405TS	2⅛"	975000-848	8s
		×		
		1½"	975000-845	8s

COUPLER INSERT SELECTION TABLE (WOODS TYPE)

COUPLER INSERT SIZE	MOTOR FRAME SIZE	INSERT NUMBER	PART NUMBER
6J	213T – 215T	6JE	875000-803
7J	254T – 286TS	7JE	875000-804
8s	284T – 326TS	8JE	875000-805
9s	324T – 326T	9E	875000-807
9s	364TS – 365TS	9E	875000-807
8s	364 – 365T	8H	875000-812
8s	404 – 405TS	8H	875000-812

TORONTO

+1 416 755 2291

BUFFALO

+1 716 693 8813

BIRMINGHAM

+44 (0) 8444 145 145

MANCHESTER

+44 (0) 8444 145 145

BANGALORE

+91 (0) 80 4906 3555

SHANGHAI

+86 21 3756 6696