

**Etanorm C 050-125 C10**

Standardpump (excluding Baseplate, Coupling and Motor)

**Operating data**

Requested flow rate	76.00 m <sup>3</sup> /h	Actual flow rate	76.00 m <sup>3</sup> /h
Requested developed head	15.00 m	Actual developed head	15.00 m
Pumped medium	Water	Efficiency	77.1 %
	Clean water	Power absorbed	4.01 kW
	Materials are not affected by chemical and mech. substances	Pump speed of rotation	2929 rpm
Fluid temperature	20.0 °C	NPSH required	3.70 m
Fluid density	998 kg/m <sup>3</sup>	Permissible operating pressure	16.00 bar.g
Fluid viscosity	1.00 mm <sup>2</sup> /s	Discharge press.	1.47 bar.g
Suction pressure max.	0.00 bar.g	Min. allow. flow rate	11.60 m <sup>3</sup> /h
Suction pressure min.	0.00 bar.g	Min. allow. mass flow rate	3.22 kg/s
NPSH available	9.98 m	Shutoff head	20.00 m
Mass flow rate	21.07 kg/s	Design	Single system 1 x 100 %
Max. power on curve	4.38 kW	Acceptance standard	None; tolerances to ISO 9906 Class 2 Annex A

**Design**

Pump standard	EN 733	Shaft seal code	10
Design	Baseplate mounted, long-coupled	Sealing plan	I Single-acting mechanical seal(internal circulation)
Orientation	Horizontal	Seal chamber design	Standard seal chamber with
Suction nominal dia.	DN 65	Contact guard	
Suction nominal pressure	PN 16	Wear ring	Casing wear ring
Suction position	axial	Impeller diameter	126.0 mm
Connection standard suction	EN 1092-1	Direction of rotation from drive	Clockwise
Discharge nominal dia.	DN 50	Silicon free pump assembly	Yes
Discharge nominal pressure	PN 16	Bearing bracket construction	Standard (normal)
Pump discharge position	top (0°/360°)	Bearing bracket size	WE25
Connection standard discharge	EN 1092-1	Bearing seal	V ring
Shaft seal	Single acting mechanical seal	Bearing type	Anti-friction bearings
Manufacturer	KSB	Lubrication type	Grease
Type	1	Color	Ultramarine blue (RAL 5002)
Material code	Q1Q1X4GG		KSB-blue

**Etanorm C 050-125 C10**

Standardpump acc. EN 733 (excluding Baseplate, Coupling and Motor)

**Driver, accessories**

Manufacturer	Flender	Efficiency class	IE2 acc. to IEC 60034-30
Coupling type	Eupex N	Frequency	50 Hz
Nominal size	80	Operating voltage	400 V
Coupling guard type	Lightweight, not treadproof (ZN79)	Rated power P2	5.50 kW
Guard size	A148	Rated current	10.1 A
Guard material	Galvanised steel ST TZN	Starting current ratio	7
Baseplate type	U-beam / folded plate	Insulation class	F to IEC 34-1
Baseplate size	1A	Motor enclosure	IP55
Driver type	Electric motor	Cos phi at 4/4 load	0.90
Model (make)	KSB	Temperature sensor	3 PTC resistors
Drive supplied by	Standard motor supplied by KSB - mounted by KSB	Motor winding	400 / 690 V
Motor const. type	B3	Number of poles	2
Motor size	132S	Connection mode	Delta
		Motor cooling method	Surface cooling
		Motor material	Aluminium
		FI allowed	

**Materials C**

Volute casing (102)	Stainless steel 1.4408	Casing wear ring (502.2)	Stainless steel 1.4408
Discharge cover (163)	Stainless steel 1.4408	Shaft sleeve (523)	Stainless steel 1.4571
Shaft (210)	Duplex stainless steel 1.4462	Shaft protecting sleeve (524)	Stainless steel 1.4571
Impeller (230)	Stainless steel 1.4408	Stud (902)	Stainless steel A2-70
Joint ring (411)	DPAF Sealing plate asbestos-free	Screwed plug (903)	CrNiMo steel A4
Casing wear ring (502.1)	Stainless steel 1.4408	Impeller nut (922)	CrNiMo steel A4

**Packaging**

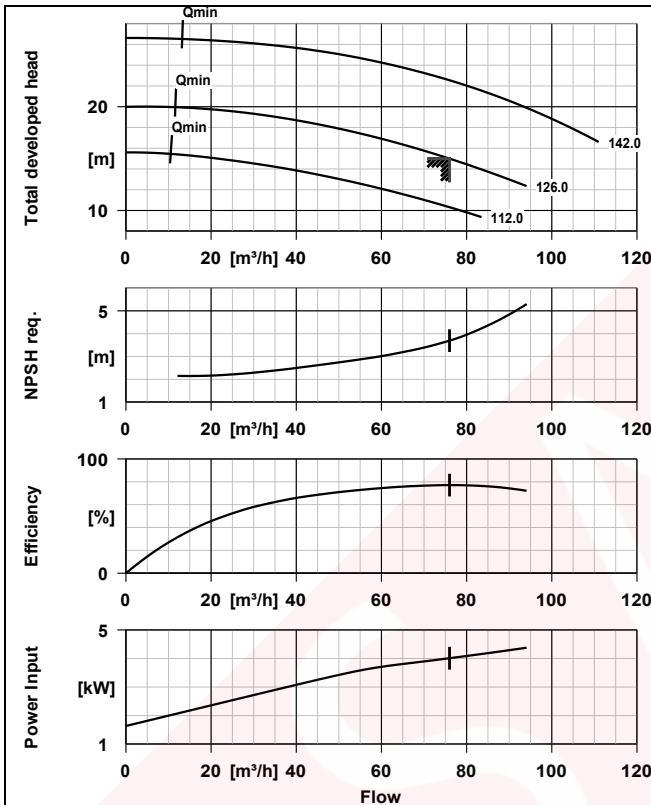
Packaging for transport	Ship	IPPC Standard ISPM 15	Yes
Packaging for storage	Indoor	Packaging category	B1 Wooden or plywood case, cover provided with polypropylene cellular sheet, outdoor storage up to 3 months

**Nameplates**

Nameplates language	international	Supplementary text	Made in Germany
---------------------	---------------	--------------------	-----------------

**Etanorm C 050-125 C10**

**Standardpump acc. EN 733 (excluding Baseplate, Coupling and Motor)**



**Design**

Pump standard	EN 733
Design	Baseplate mounted, long-coupled
Orientation	Horizontal
Suction nominal dia.	DN 65
Connection standard suction	EN 1092-1
Discharge nominal dia.	DN 50
Discharge nominal pressure	PN 16
Connection standard discharge	EN 1092-1
Shaft seal	Single acting mechanical seal
Material code	Q1Q1X4GG
Shaft seal code	10
Seal chamber design	Standard seal chamber with
Contact guard	Impeller diameter
Impeller diameter	126.0 mm
Direction of rotation from drive	Clockwise
Silicon free pump assembly	Yes

**Materials C**

Volute casing (102)	Stainless steel 1.4408
Discharge cover (163)	Stainless steel 1.4408
Shaft (210)	Duplex stainless steel 1.4462
Impeller (230)	Stainless steel 1.4408

**Operating data**

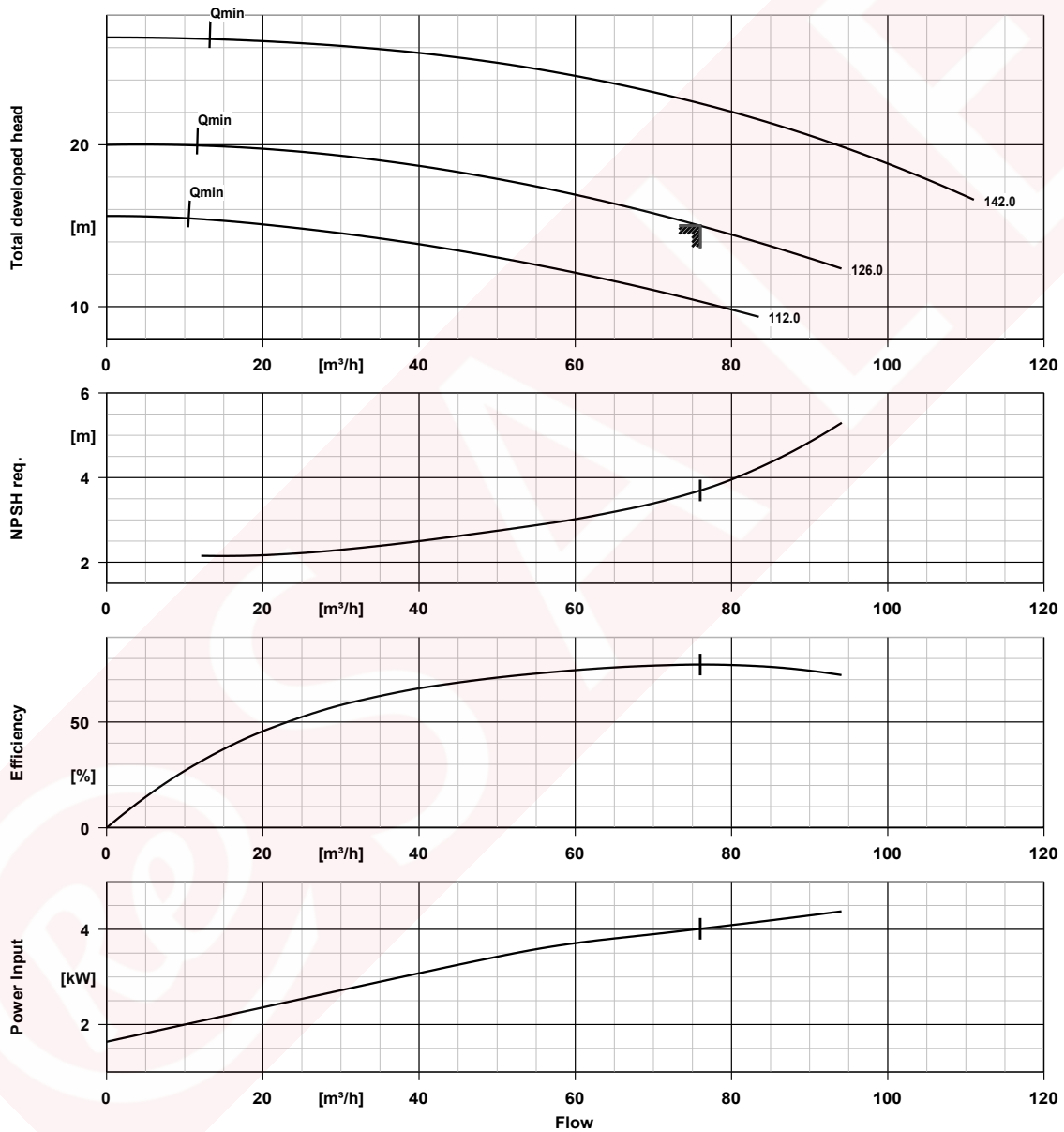
Pumped medium	Water
	Clean water
	Materials are not affected by chemical and mech. substances
Fluid temperature	20.0 °C
Actual flow rate	76.00 m³/h
Actual developed head	15.00 m
Efficiency	77.1 %
Power absorbed	4.01 kW
Pump speed of rotation	2929 rpm
NPSH available	9.98 m
Max. allow. mass flow (pump)	26.15 kg/s
Design	Single system 1 x 100 %

**Driver, accessories**

Manufacturer	Flender
Coupling type	Eupex N
Nominal size	80
Coupling guard type	Lightweight, not treadproof (ZN79)
Guard size	A148
Guard material	Galvanised steel ST TZN
Baseplate type	U-beam / folded plate
Baseplate size	1A
Driver type	Electric motor
Efficiency class	IE2 acc. to IEC 60034-30
Frequency	50 Hz
Operating voltage	400 V
Rated power P2	5.50 kW
Rated current	10.1 A
Starting current ratio	7
Insulation class	F to IEC 34-1
Motor enclosure	IP55
Temperature sensor	3 PTC resistors
Motor winding	400 / 690 V
FI allowed	

**Etanorm C 050-125 C10**

Standardpump acc. EN 733 (excluding Baseplate, Coupling and Motor)

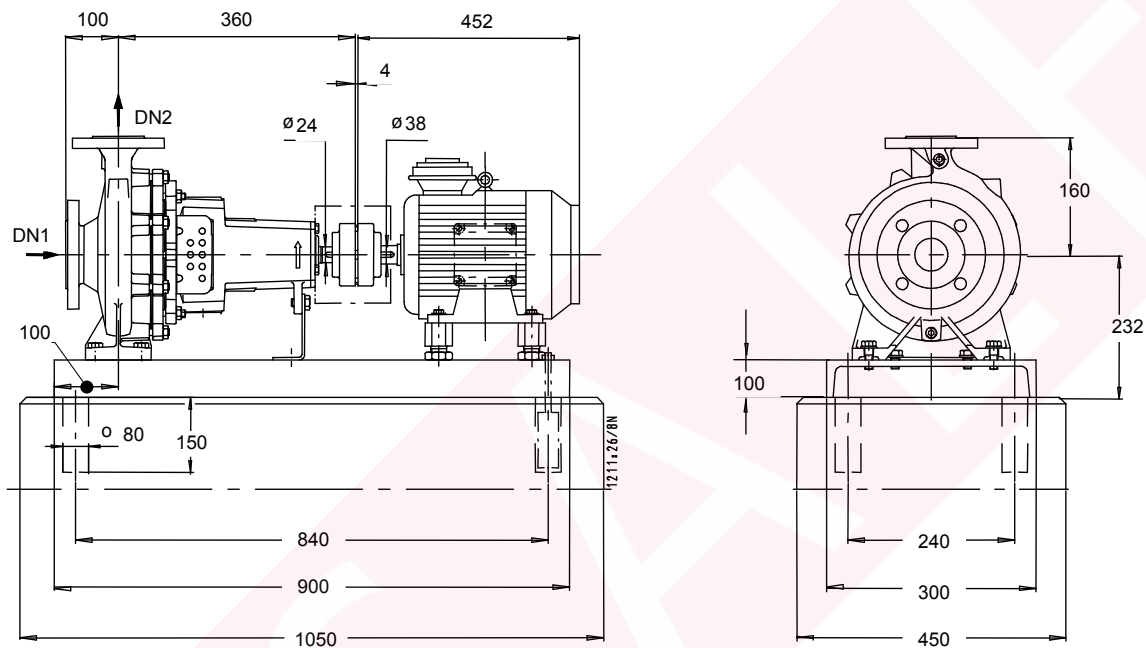


**Curve data**

Speed of rotation	2929 rpm	Efficiency	77.1 %
Fluid density	998 $kg/m^3$	Power absorbed	4.01 kW
Viscosity	1.00 $mm^2/s$	NPSH required	3.70 m
Flow rate	76.00 $m^3/h$	Curve number	K1211.452/914
Requested flow rate	76.00 $m^3/h$	Impeller diameter	126.0 mm
Total developed head	15.00 m	Acceptance standard	None; tolerances to ISO 9906 Class 2 Annex A
Requested developed head	15.00 m		

**Etanorm C 050-125 C10**

Standardpump acc. EN 733 (excluding Baseplate, Coupling and Motor)



Drawing is not to scale

Dimensions in mm

**Motor**

Motor manufacturer	KSB
Motor size	132S
Motor power	5.50 kW
Speed of rotation	2929 rpm
Position of terminal box	0°/360° (top)

**Baseplate**

Design	U-beam / folded plate
Size	1A
Material	Steel ST
Leakage drain, baseplate	Without
Rp1	
Foundation bolts	M16x250 (Not in scope of supply)

**Connections**

Suction nominal size DN1	DN 65 / EN 1092-1
Discharge nominal size DN2	DN 50 / EN 1092-1
Nominal pressure suct.	PN 16
Rated pressure disch.	PN 16

**Coupling**

Coupling manufacturer	Flender
Coupling type	Eupex N
Coupling size	80
Spacer	0.0 mm

**Weight net**

Pump	38 kg
Baseplate	43 kg
Coupling	2 kg
Coupling guard	2 kg
Motor	43 kg
Total	38 kg

**Connect pipes without stress or strain!**

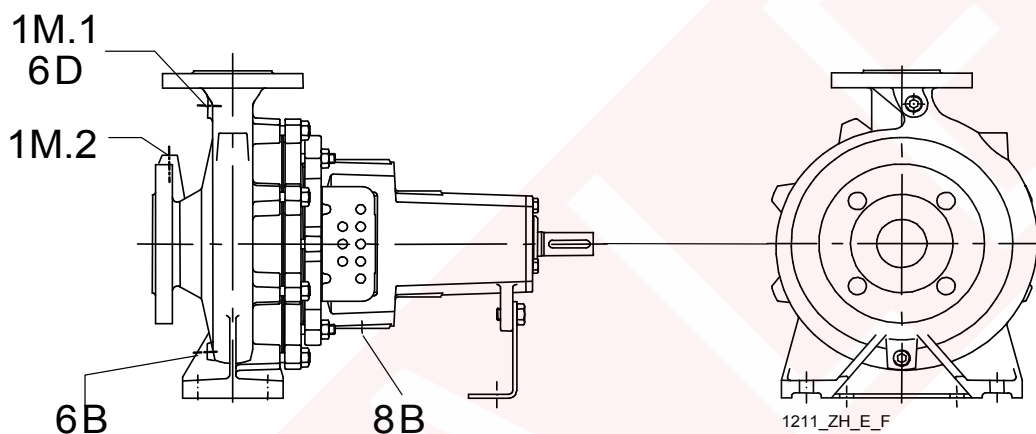
Dimensional tolerances for shaft axis height:  
 Dimensions without tolerances, middle tolerances to:  
 Connection dimensions for pumps:  
 Dimensions without tolerances - welded parts:  
 Dimensions without tolerances - gray cast iron parts:

DIN 747  
 ISO 2768-m  
 EN735  
 ISO 13920-B  
 ISO 8062-CT9

**For auxiliary connections see separate drawing.**

**Etanorm C 050-125 C10**

Standardpump acc. EN 733 (excluding Baseplate, Coupling and Motor)



**Connections**

1M.1 Pressure gauge connection	Rc 3/8	Drilled and plugged.
1M.2 Pressure gauge connection	Rc 3/8	Not executed
6B Pumped liquid drain	G 3/8	Drilled and plugged.
6D Pumped medium - filling / venting	Rc 3/8	Drilled and plugged.
8B Leakage drain	G 1/2	Drilled and plugged.