

In-Line Circulator Pump

TK100

Applications

- District heating system
- District cooling system
- Air-conditioning system
- Water supply
- Industrial processes
- Industrial cooling
- Pressure boosting system

Operation conditions

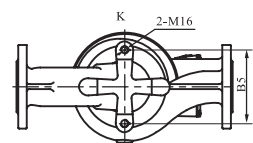
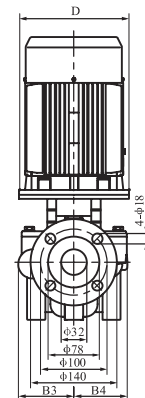
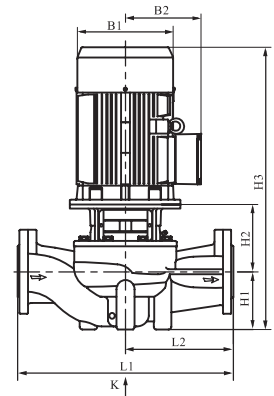
- Liquid temperature:
normal temperature type: $-15^{\circ}\text{C}\sim+70^{\circ}\text{C}$
hot water type: $-15^{\circ}\text{C}\sim+110^{\circ}\text{C}$
- Ambient temperature: maximum $+40^{\circ}\text{C}$
- Operation pressure: normal type 12 bar

Motor

- Fitted with a totally enclosed, fan-cooled, 2-pole motor
- Enclosure class: IP55
- Insulation class: F
- Supply voltage: 50Hz or 60Hz

Material

- Inlet&outlet chamber:HT200
- Impeller:HT200/ Stainless steel(304)
- Pump head: HT200
- Shaft: Stainless steel(304/316)
- Mechanical seal: Graphite/SIC



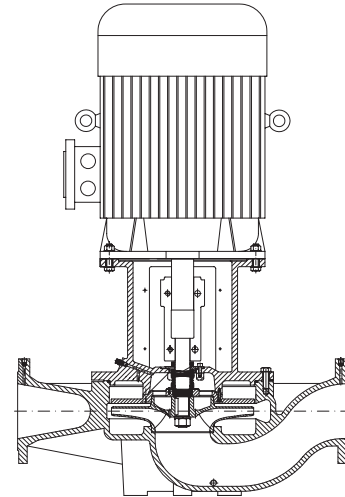
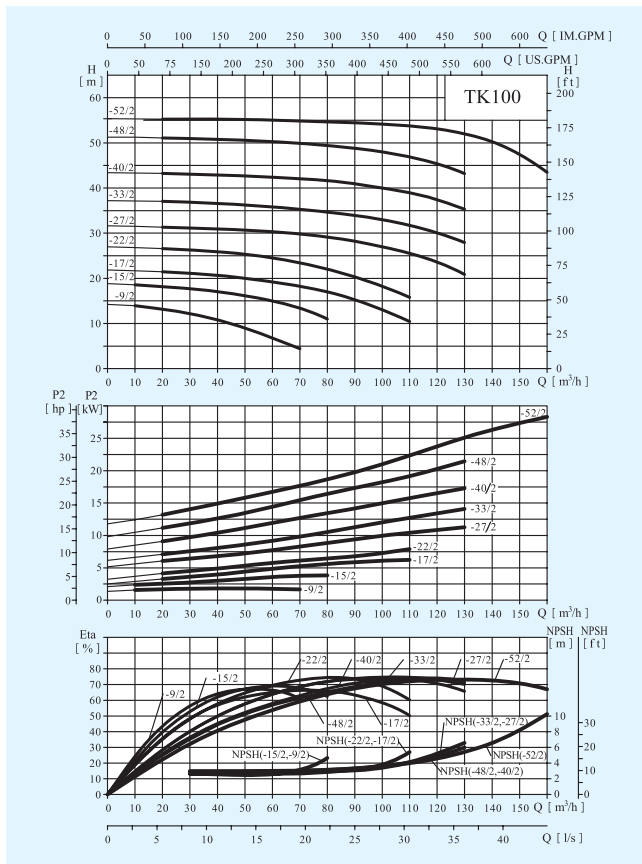
Performance Table

Model	Associated Motor(kW)	Q (m ³ /h)	10	20	30	40	50	60	70	80	90	100	110	120	130	145	160
TK100-9/2	2.2	H (m)	13.9	13.2	12.2	10.8	9	6.8	4.4								
TK100-15/2	4		18.6	18.2	17.7	17.1	16.2	15	13.4	11							
TK100-17/2	5.5		21.7	21.5	21.1	20.7	20	19.2	18.3	17	15.3	13	10.4				
TK100-22/2	7.5		26.8	26.6	26.3	25.9	25.3	24.5	23.4	22	20.3	18.2	15.8				
TK100-27/2	11		31.5	31.3	31.1	30.9	30.7	30.3	29.8	29.2	28.2	27	25.5	23.6	20.8		
TK100-33/2	15		37.1	37	36.8	36.6	36.2	35.8	35.3	34.7	33.9	33	31.7	30.1	27.9		
TK100-40/2	18.5		43.3	43.2	43.1	42.9	42.7	42.4	42.1	41.6	40.9	40	38.9	37.4	35.3		
TK100-48/2	22		51.2	51.1	51	50.8	50.6	50.3	49.9	49.4	48.8	48	46.9	45.3	43.2		
TK100-52/2	30		55.3	55.3	55.3	55.3	55.2	55.1	54.8	54.6	54.4	54.2	53.8	53.1	52	49	43.5

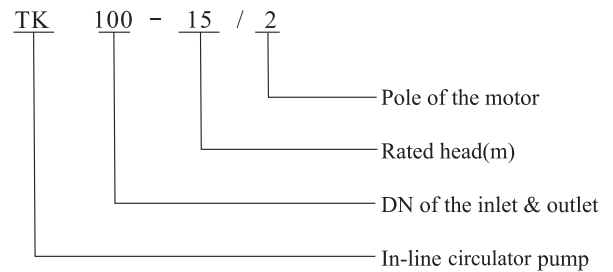
In-Line Circulator Pump

TK100

Performance Curves



TK



Dimension&Weight

Model	Specification[mm]											Net Weight (kg)
	D	B1	B2	B3	B4	B5	H1	H2	H3	L1	L2	
TK100-9/2	140	175	155	134	101	160	105	211	613	450	225	65
TK100-15/2	160	215	190	134	101	160	105	212	647	450	225	83
TK100-17/2	200	260	205	150	117	144	140	237	759	500	250	119
TK100-22/2	200	260	205	150	117	144	140	237	759	500	250	122
TK100-27/2	350	350	245	147	123	144	140	252	896	550	275	183
TK100-33/2	350	350	265	147	123	144	140	252	896	550	275	194
TK100-40/2	350	350	265	181	152	230	140	266	954	550	275	224
TK100-48/2	350	350	280	181	152	230	140	266	985	550	275	260
TK100-52/2	400	400	305	181	152	230	140	266	1076	550	275	318