

# Panda

Roots Vacuum Pumps  
WV 1500 - 4500 B/C



**Higher pumping speed** and improved ultimate pressure: Panda WV Roots vacuum pumps increase the performance of your vacuum system, making it more efficient and economical. Available in six different sizes, Panda WV Roots vacuum pumps can be designed to perfectly suit all low and medium-vacuum applications in which the performance of the forepump needs to be drastically increased or optimally adapted to the process. The Panda models WV 1500 C to WV 4500 B are the three larger Roots vacuum pumps in this series.

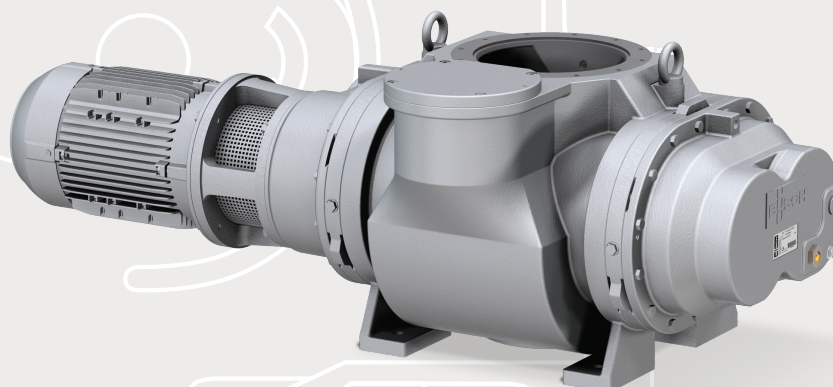
Panda WV Roots vacuum pumps are the perfect booster pumps for all types of forepumps. When used in combination of forepump and booster pump together, they are capable of increasing the pumping speed and ultimate pressure by a factor of 10.

Thanks to the integrated bypass valve, Panda WV Roots vacuum pumps achieve a high pumping speed even on rough vacuum applications. It reliably protects pump and motor against overloading, and allows the Panda WV to be switched on together with the forepump even at atmospheric pressure. A process-related, sudden pressure increase due to a greater gas flow can be easily pumped out by the bypass valve in continuous operation.

Panda WV Roots vacuum pumps can be flanged directly onto the forepump or at any other position on the system.



**Panda – the economical performance optimiser.**



Panda WV 4500 B

# Panda

## Roots Vacuum Pumps WV 1500 - 4500 B/C



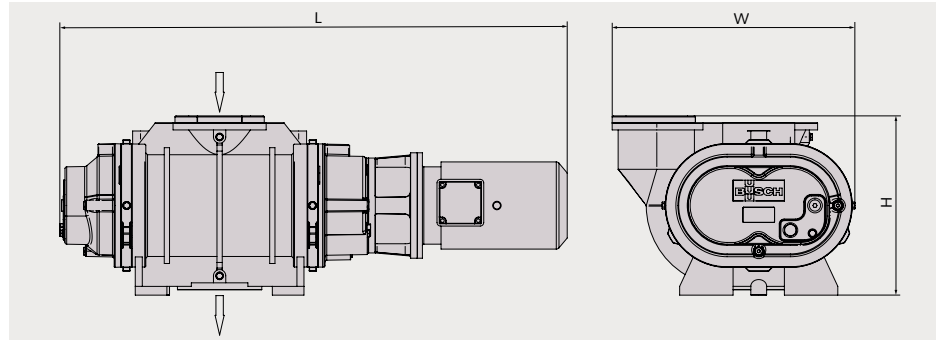
### Technical specifications

Within the housing of Panda WV Roots vacuum pumps, two pistons rotate synchronously. Thanks to the special profile of the rolling pistons and their precise manufacturing, they do not come into contact with each other or the housing. This makes it possible to pump the medium without the need of any operating fluids. The synchronous rotation of the two rolling pistons is driven by a pair of gear wheels located on shaft ends in the gearbox and separated from the compression chamber. The integrated bypass valve, which comes as standard, enables an operation around atmospheric pressure or at low vacuum without the need for a special controller. Roots vacuum pumps are driven by a directly flanged electric motor of efficiency class IE2.

### Roots vacuum pumps from Busch

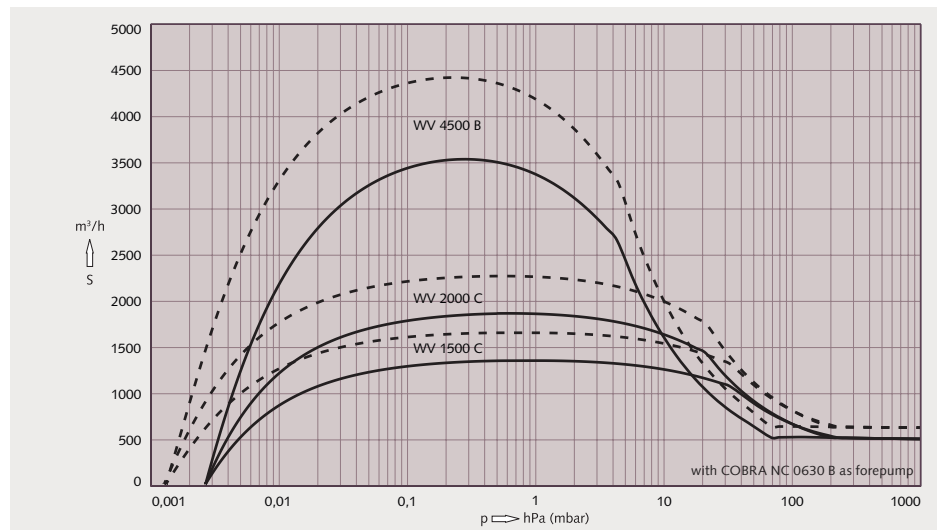
In addition to the Panda WV series, Busch also manufactures other Roots vacuum pumps in a range of sizes and versions that are suitable for almost all applications. Contact us. Our application specialists are happy to advise you.

### Panda WV 1500 - 4500 B/C



### Pumping speed

Air at 20 °C. Tolerance: ± 10% — 50 Hz - - - - 60 Hz



Technical Data			WV 1500 C	WV 2000 C	WV 4500 B
Nominal pumping speed	50 Hz / 60 Hz	m <sup>3</sup> /h	1600 / 1920	2120 / 2540	4500 / 5400
Max. pressure differential	50 Hz / 60 Hz	hPa (mbar)	43	43	23
Nominal motor rating	50 Hz / 60 Hz	kW	4.2 / 5.2	6.0 / 7.6	11.0 / 12.6
Nominal motor speed	50 Hz / 60 Hz	min <sup>-1</sup>	3000 / 3600	3000 / 3600	3000 / 3600
Weight approx.		kg	270	532	600
Dimensions	L x W x H	mm	1072 x 424 x 515	1347 x 555 x 600	1444 x 689 x 510
Gas inlet / outlet		ISO-F	DN 160 / DN 100	DN 160 / DN 160	DN 250 / DN 160

### Busch (UK) Ltd.

Hortonwood 30 | Telford, Shropshire, TF1 7YB | Phone +44 (0)1952 67 74 32 | sales@busch.co.uk | www.busch.co.uk

Argentina Australia Austria Belgium Brazil Canada Chile China Czech Republic Denmark Finland France Germany Hungary India Ireland Israel Italy Japan Korea Malaysia Mexico New Zealand Netherlands Norway Poland Portugal Russia Singapore South Africa Spain Sweden Switzerland Taiwan Thailand Turkey United Arab Emirates United Kingdom USA

Technical data is subject to change. Created in Germany 04/19